



2021 OFFICIAL UKC[®] OBEDIENCE RULEBOOK

EFFECTIVE: JANUARY 1, 2021
REVISED: JANUARY 1, 2022

OFFICIAL OBEDIENCE RULEBOOK

TABLE OF CONTENTS

Chapter 1 - General Rules	3
Chapter 2 – Ring and Equipment Requirements	4
Chapter 3 – Exhibitor and Spectator Conduct at UKC Events	6
Chapter 4 – Rules Applying to Exhibitors	6
Chapter 5 – Entry Eligibility for Licensed Classes	7
Chapter 6 – Rules Applying to Licensed Classes	10
Chapter 7 – Ring Procedures	11
Chapter 8 – Judging Standards, General Scoring and Deductions	11
Chapter 9 – Judging Procedures	12
Chapter 10 – Standard and Minimum Jump Heights	13
Chapter 11 – Pre-Novice Introduction, Exercises, Performance, and Scoring	14
Chapter 12 – Beginner Novice Introduction, Exercises, Performance, and Scoring	17
Chapter 13 – Novice Introduction, Exercises, Performance, and Scoring	23
Chapter 14 – Advanced Novice Introduction, Exercises, Performance and Scoring	28
Chapter 15 – Open Introduction, Exercises, Performance, and Scoring	33
Chapter 16 – Advanced Open Introduction, Exercises, Performance, and Scoring	38
Chapter 17 – Utility Introduction, Exercises, Performance, and Scoring	43
Chapter 18 – Master Introduction, Exercises, Performance, and Scoring	50
Chapter 19 – Elite Introduction, Exercises, Performance, and Scoring	56
Chapter 20 – United Obedience Champion, United Grand Obedience Champion, United Utility Dog Excellent	62
Chapter 21 – Non-Licensed Class Introduction	62
Chapter 22 – Veteran Class Exercises, Performance, and Scoring	63
Chapter 23 – Brace Class Exercises, Performance, and Scoring	63
Chapter 24 – Versatility Class Exercises, Performance, and Scoring	63
Chapter 25 – Precision Heeling Class Exercises, Performance and Scoring	64
Chapter 26 – Pairs Class Exercises, Performance, and Scoring	68
Chapter 27 – Team Class Exercises, Performance, and Scoring	69
Chapter 28 – Placements, Awards, and Ribbons	71
Chapter 29 – Total Dog Award	72
Chapter 30– UKC Obedience All Stars Ranking System	73
Chapter 31 – Ring Stewards	73
Definitions	73
Diagrams	75
Standard Jump Height and Distance Table	
Minimum Jump Height and Distance Table	
Regulation Size for Construction of Bar Jump	
Regulation Size for Construction of Broad Jump	
Regulation Size for Construction of High Jump	
Inherent Rights and Powers of UKC	77
Rule Change Insert	78

Official UKC® Rules and Regulations Governing UKC® Licensed Obedience Trials Effective January 1, 2022

UKC LOGO & MAILING INFORMATION

UKC is the trademark of the United Kennel Club located in Kalamazoo, Michigan. The use of the initials UKC in association with any other registry would be in violation of the registered trademark. Notify the United Kennel Club, 100 E Kilgore Rd, Kalamazoo MI 49002-5584, should you become aware of such a violation.

Obedience Competition.

An Obedience trial is a competitive evaluation of a dog-and-handler team that executes specified routines which emphasize the usefulness of the dog as a companion and the handler's ability to train a dog that demonstrates willingness and enjoyment to work. All teams competing in an Obedience trial must perform the same set of exercises under the same conditions and whose performances are scored by a judge. The handler must appear natural, and each performance is judged on accuracy and teamwork. Scoring and placements are based on a point system.

Exhibitor Guidelines. Every exhibitor who enters a licensed UKC event is expected to know the rules before competing and be ready to abide by them. Additional guidelines are as follows:

- Exhibitors' clothing should be neat and clean. Their apparel speaks to the respect they have for the sport, the event, and its proceedings.
- Exhibitors' dogs should be clean and, where necessary, brushed or trimmed to present a neat appearance.
- Experienced exhibitors should try to help new exhibitors. Beginners are critical to the future of the sport. All exhibitors must display good sportsmanship and respect for others.
- When discussing a score with the judge, exhibitors should accept the decision of the judge gracefully. Remember, it was the judge's evaluation of that performance on that day.
- Exhibitors should always keep their area clean, dispose of all dog waste appropriately and leave an event site in the condition they found it.

Finality of Judges' Decisions. By entering an Obedience trial, the owner and/or handler of any dog agrees to accept the decision of the judge as final. The decision of a judge is the opinion of the judge and not that of the United Kennel Club.

CHAPTER 1. GENERAL RULES

Section 1. Governing Rules. UKC licensed events are governed by UKC rules, classifications, and point systems. The entry form signed by the exhibitor states that the exhibitor is familiar with the UKC rules and regulations. Every exhibitor is expected to know the rules before competing and to be ready and able to abide by them.

Section 2. Jurisdiction. All UKC licensed Obedience trials shall be governed by the Official UKC Obedience Rulebook and the Official UKC Rules for All-Breed Events and Misconduct & Discipline Guidelines. The awarding of UKC Championship points and titles issued by the United Kennel Club are uniform and are not given on a local or geographical basis.

Section 3. Licenses. Any club approved by UKC that meets the program's requirements may be granted a license to offer All-Breed Obedience trials. Single breed or group clubs may choose to offer Obedience trials for their breed or group only. UKC reserves the right to grant, withhold, or revoke event licenses at its own discretion.

Section 4. Conduct. UKC exhibitors and spectators are expected to display good behavior and good sportsmanship on and off the grounds. Judges, Event Committee members, and host club officers may excuse or bar exhibitors or spectators from the event grounds for violations of these rules or conduct that interferes with the event and event participants.

Section 5. Eligibility of Dogs. To be eligible to compete in licensed Obedience classes, dogs must be at least six months of age and permanently registered with UKC, have a Performance Listing (PL) number, or have a valid Temporary Listing (TL) number as of the day of the event. At a pre-entry only event, the dog must be permanently registered, have a PL number, or have a valid TL number by the closing date of the event. Dogs with eliminating faults may compete in performance events.

Deaf dogs and dogs missing all or part of one limb may participate in Obedience trials but must be able to safely perform all required exercises. A judge may excuse a dog missing a limb for lameness only if the judge determines that the dog is stiff or sore in one or more of its remaining limbs. The judge's decision is final, and they need not seek the opinion of a veterinarian.

Section 6. Ineligibility of Dogs. Dogs with these conditions are ineligible to compete in an Obedience trial:

- Dogs less than six (6) months of age on the day of the trial
- Blind dogs
- Lameness
- Dogs that appear to be ill
- Females in season and pregnant or lactating females
- Dogs that have sutures, bandages, adhesive or any other material that is indicative of or related to any surgical or medical procedure

- Dogs that have anything attached to them for protection or adornment (elastic ties or small plain barrettes used to keep the hair from a dog's eyes are acceptable)

Should a handler attempt to compete in an Obedience trial with a dog in any condition listed above, the judge shall excuse the dog from competition and mark the reason in the judges' book. The judge's decision in the matter is final and they need not seek the opinion of a veterinarian.

Section 7. Females in season. The host club has the option of refunding the entire entry fee or retaining up to 50% of the fee as a processing fee of any Obedience trial competitor who provides a veterinarian's certificate verifying that the female came into season after the closing date for entries. The certificate may be mailed, provided the post-mark is no later than the date prior to the day of the trial, or delivered by hand to the Event Secretary before the published start time of the trial.

Section 8. Inoculations. Please refer to the *Official UKC Rules for All-Breed Events* for rules regarding inoculations.

Section 9. Disqualified Dog. Dogs that have been disqualified by a judge at a UKC Licensed event in accordance with the Dog Temperament section found in the *Official UKC Rules for All-Breed Events*, are ineligible to enter a UKC license event unless or until reinstated by UKC.

- *When an attack or attempt to bite a person happens inside of a ring, the Judge is to follow the official procedures outlined in the Official UKC Rules for All-Breed Events, Chapter 1, Section 13. When this happens outside of the ring or anywhere on the event grounds, the Event Committee is to follow the same procedures outlined in the Official UKC Rules for All-Breed Events, Chapter 1, Section 13.*
- *Dogs disqualified for attacking are immediately rendered ineligible to compete at any UKC events and the exhibitor shall forfeit all entry fees for any event where the dog has yet to compete. The exhibitor must secure the dog(s) and remain on the premises until the "Disqualified for Attacking" form has been completed in accordance with The Official UKC Rules for All-Breed Events, Chapter 1, Section 13.*

Section 10. Earning Titles from Licensed Classes. UKC Obedience titles may only be earned in licensed classes. UKC Obedience titles must be earned successively **except for additional titling classes**. Equivalent titles from other venues may not be substituted for UKC Obedience titles in determining eligibility for a class but they may be used to determine a dog's eligibility for a division.

Section 11. UKC Obedience Title Certificates and Official Notification. Points or legs earned toward UKC titles are awarded after United Kennel Club receives and processes the official event report from the host club. Once the requirements for an Obedience title have been met and recorded, UKC will automatically mail a Certificate of Honor to the dog's recorded owner. The owner shall be deemed notified as of the mailing date of the title certificate.

Section 12. Points Check. Owners may check titles and points using the UKC Online Points Check available at www.ukcdogs.com. Questions may be emailed to performance@ukcdogs.com or the All-Breed Sports department may be contacted by phone.

Section 13. Duplicate Title Certificates. Duplicate title certificates are available for a nominal fee. Contact the All-Breed Sports department for current fees.

CHAPTER 2. RING AND EQUIPMENT REQUIREMENTS

Section 1. Obedience Ring Requirements. All Obedience rings must be free of hazardous obstacles and provide unrestricted visibility for judging and for exhibitor safety.

Section 2. Ring Size. *The required minimum Obedience ring size for a trial is 40 x 50 feet. Ring sizes may be larger. The Elite Obedience class and the non-licensed Teams class ring size must be a minimum of 40 x 70 feet.*

Section 3. Surface. The surface of an Obedience ring must be adequate to provide a firm and safe footing for dog and handler.

Section 4. Equipment Provided by the Host Club. A club hosting a UKC licensed Obedience trial must provide the following equipment:

- **Ring Barriers.** The ring barrier may consist of a natural wall, ring gates, or ropes.
- **Indoor Rings.** Floors surfaces that do not provide safe footing for dog and handler must be covered by mats or suitable coverings.
- **Outdoor Rings.** The ring area must be flat and free of hazards. Grass surfaces must be mowed so that the grass is short.
- **Ring Supplies.** Items such as pens, pencils, notepads, calculators, stopwatches, dry erase boards, dry erase markers, and clipboards must be available for use in the ring by the judge and stewards.
- **Jumps.** The high jump, bar jump (also known as upright jump), and the broad jump must meet the standard equipment regulations described below. Jump construction and diagrams will be found in the back of this rulebook.
- **High Jump.** The high jump must be solid and may be made of wood or a combination of PVC and vinyl inserts. All parts of the high jump must be white except for the numbers indicating the height of each board, which shall be black and measure 2 inches in height. The inserts between the posts must measure 5 feet long with the base board secured within the uprights. The uprights will be no higher than 4 feet. The high jump range must be able to be set in two-inch increments anywhere from 4 inches and up to and including 24 inches. There should be a minimum of one 2-inch board, one 4-inch board and at least three 8-inch boards available for use.
- **Bar Jump.** The bar jump will consist of a bar between 2 and 2½ inches square with the edges rounded to remove any sharpness. The bar will be flat black and white in alternate sections, each about 3 inches wide. The bar should be sufficiently heavy so it cannot be effortlessly knocked off the uprights. It will be supported by two unconnected 4-foot upright posts about 5 feet apart. The bar jump range must be adjustable in two-inch increments anywhere from 4 inches and up to and including 24 inches. The jump must be built so that the bar may be knocked off without affecting the uprights.

- **Send Away Box.** A send away box is a square box, like the Pause Box used in Agility, and constructed of wood or PVC pipe. The inside measurement of the box is can be approximately anywhere between 36 to 48 inches (+/- 2 inches) square. The box should be between 1 and 6 inches in height. If used in outdoor trials, boxes should be at least 4" in height. Ideally, the use of PVC pipe and four elbows make an excellent box that is lightweight and can be disassembled for storage.
- **Broad Jump.** The broad jump will consist of four white telescoping hurdles, all about 8 inches wide and made of either wood or plastic. The largest hurdle will measure about 5 feet long and about 6 inches at the highest point. In the ring, they will be arranged in order of size, evenly spaced. Four hurdles will be used for 46 to 48 inches, three for 28 to 44 inches, two for 16 to 26 inches, and one for 8 inches and under. When decreasing the number of hurdles in the jump, the highest hurdle will be removed first.
- **Pylons, Poles, or Cones.** 3 to 5 pylons, poles, or cones to equip the Pre-Novice Serpentine Loop exercise and the Figure 8 exercise in the Beginner Novice and non-licensed Team class. Pylons and cones must be approximately 12 – 18 inches in height and some shade of yellow, orange, or red in color. There must be one cone that is at least 18 inches in height available for the Master class.
- **Scent Cloths.** Standard size white 100% cotton washcloths no larger than 12 inches square.
- **Position Cards.** Any type of display cards used to display the order of positions in the Master class. Index cards, flip cards, notebooks, or electronic tablets may be used. Cards can be pre-written and laminated and should not be larger than 11 inches by 8 1/2 inches. The display may be in words or pictures.
- **Scent Boxes.** Scent boxes must be made of cardboard, be uniform in size, and cannot specify anywhere on the box it is for use by any shipping industry (government or private, i.e. Fed-Ex, USPS). Boxes must be at least 12 inches by 9 inches with any box not being less than 3 inches tall or over 8 inches tall. Additional boxes must be available for replacement if any of the boxes become damaged. The bottoms of the boxes must be taped shut.
- **Stopwatches.** At least one stopwatch that records time to 1/100th of a second must be available for the Master and Elite classes.
- **Food Distraction.** For the Elite class, food that is safe and edible for the dog, other than dry dog food (such as raw meat, canned dog food, cooked meat without bones, hotdogs, etc.), which will be kept in sealed containers on the judge's table. There should be at least 2 or 3 ounces of food offered. This would be equal to a regular sized hot dog, or 2 slices of cheese or lunchmeat.
- **Wicket.** A wicket must be provided by the club and available for measuring a dog's height.

Section 5. Equipment Requirements Provided by the Exhibitor. Exhibitors must provide a collar and leash for each entered dog, as well as any equipment required from a specific entered class.

- **Collars (All Classes).** Collars made of chain, fabric, leather, or a combination of these materials. Slip collars, martingale collars, or buckle/snap collars are acceptable. All collars must properly fit the dog around the neck, remain on the dog without a leash, and be approved by the judge. Collar tags that are not attached or riveted directly to the collar, or other items hanging from the collar are prohibited in the obedience ring. Any kind of studded (spike), pinch or prong collars, harnesses (head or body), or any type of special training collars are prohibited in the Obedience ring. Electronic collars are not permitted on the grounds of a UKC licensed event.
- **Leashes (All Classes).** Leashes may be of either fabric or leather and must be of enough length to allow adequate slack for the exercises performed on leash. Exhibitors may not use any type of longline or flexi leashes.
- **Dumbbells.** Exhibitors needing dumbbells must provide the required number of dumbbells for the class entered. Dumbbells must be in good condition and made of either nylon or wood. Dumbbells may be any color and may have engraved or stamped designs on its ends. A dumbbell's size should be proportionate to the size of the dog. The judge has the right to inspect the dumbbell and to require the exhibitor to provide a replacement if the dumbbell does not meet the above specifications or if the dumbbell does not appear sufficiently sturdy to be thrown.
- **Scent Articles.** Scent articles must be five identical objects made of metal, leather, or wood, and numbered for identification. Scent articles are normally shaped like dumbbells, but other shapes are acceptable.
- **Gloves.**
 - o **Utility Class.** Three gloves will be provided by the exhibitor and must be white or off-white, identical in color and size, and made of cotton. A colored cuff on the gloves is acceptable.
 - o **Master class.** One solid dark-colored glove made of cotton or leather must be provided.
- **Personal Scent Items.** An item belonging to the handler such as keys, a shoe, sock, shirt, etc. The personal item cannot be a glove or an undergarment, must be free of food, and must fit inside a cardboard box that is 12 inches by 9 inches by 3 inches.

Section 6. Exhibitors Ring Attire. It is recommended that handlers wear rubber-soled, closed-toe shoes. Clothes should be neat and comfortable with safety in mind. Handlers can wear articles of clothing and equipment such as vests, hats, etc., that display their club name, a logo, club, or kennel name.

Section 7. Prohibited Items. Mobile phones and video recording devices are prohibited on the exhibitor and dog during their judged performance. Exhibitors may not take any toys (except for the Master and Elite Discrimination classes), food, bait bags, fanny packs, or other items that a dog may associate with bait into the ring. Dogs may not have anything attached to them for protection or adornment.

The judge must require an exhibitor to remove any such item that they believe may violate this rule before allowing the exhibitor to enter the ring. Exhibitors who enter the ring and are found in violation of any part of this rule must be excused from the ring by the judge. The judge shall mark the judge's book as "Excused" and identify the exhibitor by writing the armband number and the reason for the excusal at the bottom of the judge's book. The judge's decision on this matter is final.

CHAPTER 3. EXHIBITOR AND SPECTATOR CONDUCT AT UKC EVENTS

Section 1. Conduct Applicable to Exhibitors and Spectators. UKC exhibitors and spectators are expected to display good behavior and good sportsmanship in and out of the ring. Judges may excuse exhibitors from their ring for violations of these rules or conduct that interferes with the event and event participants. Event Committee members and host club officers may excuse exhibitors or spectators from the show grounds for violations of these rules or conduct that interferes with the event and event participants.

Section 2. Poor Sportsmanship. Poor sportsmanship that rises to the level of misconduct must be dealt with in accordance with the rules as set forth in the *Official UKC Rules for All-Breed Events and Misconduct & Discipline Guidelines, category 1*. If the person has any dog(s) entered in the event, they shall not be permitted to exhibit until the hearing has been held and the exhibitor cleared of misconduct. An exhibitor who is not cleared of the misconduct charges may be requested to leave the event grounds by the Event Committee. In such cases, the club is not required to refund entry fee(s) for said dog or any additional dogs the exhibitor has entered on that day regardless if the dogs were shown or not.

Section 3. Double Handling. Persons outside the ring are prohibited from any intentional actions designed to affect the performance of a dog being judged in the ring. This prohibition shall apply equally to persons attempting to improve or to impair a performance. The Event Committee may expel from the event grounds any person they reasonably believe is double handling. Judges may excuse exhibitors from the ring whose dogs they reasonably believe are benefiting from double handling. Only one person may handle each dog in the ring.

CHAPTER 4. RULES APPLYING TO EXHIBITORS

Section 1. Age. Obedience handlers may be any age provided the handler is able to control the dog. A judge may excuse a handler at any time if they believe the handler is unable to control the dog. The judge's decision is final.

Section 2. Junior Handlers. Handlers under the age of 18 may compete as a Junior Handler. A Junior Handler may not have reached their eighteenth birthday as of January 1 of the competition year. After December 31 of the year in which a Junior Handler turns 18, the Junior may no longer participate in the Junior program. A club may request verification of the Junior participant's age.

UKC Junior Members are responsible for notifying the Event Secretary of their participation upon checking in at the event. Handlers under 18 years of age do not have to be a member of the UKC Junior program to compete but will not be eligible for Junior points or acknowledgments for which participants in the UKC Junior program are eligible.

Section 3. Handlers with Disabilities. Only one person may handle a dog in the ring/competition area (except for blind handlers). Handlers may use a wheelchair, crutches, cane, or any other means of mechanical assistance in the ring. The judge may also make reasonable modifications to the exercises to the extent that it assists the handler.

No modification may be made that gives any advantage to the handler's dog or that changes the dog's part of the required exercise or performance in any way. If necessary, blind handlers may have someone position them in the ring to perform each exercise and if necessary, a person may be positioned at each corner of the ring to indicate audibly where the ring barrier is. Exhibitors needing specific accommodations must notify the Event Secretary who will then inform the judge.

Section 4. Dogs That May Not Be Entered Under a Judge in a Performance Event.

- No judge may pass judgment on a dog of which they are listed as owner or co-owner.
- No dog can be entered under a judge that has been owned or trained by the judge, or that has lived in the judge's household, regardless of ownership, within three months of the date of the event.

Section 5. Exhibitors who co-own a dog with an officiating judge. No exhibitor may exhibit any dog that is owned or co-owned by an officiating judge in the same event-type that judge is scheduled to officiate, except when using the back-up judge system in the performance events. The exhibitor however may show any other dog to that judge provided the judge is not listed as owner or co-owner.

Section 6. Eligibility of Judge's Immediate Family and Household Members to Exhibit.

- Exhibitors who own or co-own a dog with any member of the judge's immediate family or member of the judge's household, regardless of ownership, may not enter under the officiating judge.
- A judge's immediate family and household members may exhibit any dog not owned or co-owned by the judge in any event any day of a scheduled weekend for which the judge has been hired. They may not enter or exhibit the dog in the same event type the judge is officiating on that day unless the back-up judge system is used.
- A judge's immediate family and household members may enter any event without restriction on any other day the judge is not scheduled to judge.

Section 7. Eligibility of Dogs Owned by Judges. Obedience judges may exhibit a dog or have a dog they own or co-own exhibited by someone else in any event preceding the day of their judging assignment, the day of their judging assignment or the day after their judging assignment at an event in which they have hired or in a scheduled weekend.

- Dogs owned by a judge may be entered in and exhibited by the judge at the same trials in which they are scheduled to officiate under the back-up judge system for performance events.
- No judge may interrupt, disrupt, delay, or reschedule an event in which they are officiating to facilitate exhibiting their dog.

- Judges or clubs reported and proven to have interrupted, disrupted, delayed, or rescheduled an event to allow a judge to exhibit a dog will face disciplinary action.
- The judge must fulfill the assignment they were hired for and willingly and knowingly withdraw any entries in any event that presents a conflict.
- Judges exhibiting in any event on the same day other than the event they officiate will be eligible for awards, placements, All Stars, and Championship points where applicable.

Section 8. Back-Up Judge System. The judge must notify the club in advance that they wish to enter a dog in an event they are assigned to judge. The host club must designate a chief judge and a back-up judge on the event application.

- The chief judge will be the overall authority for judging the event for which they are assigned.
- Dogs owned by the chief judge may compete only under the assigned back-up judge.
- The back-up judge may only officiate for the chief judge and/or the chief judge's immediate family/household members.
- Chief judges' dogs are not eligible for any placements or awards in the classes in which they are competing.
- Chief judges' dogs are eligible for qualifying scores, titles, and All Stars points.
- Back-up judges' dogs will be eligible for qualifying scores, titles, placements, awards, and All Stars points in the classes they are competing.
- There will be no emergency replacements for back-up judges unless there is another fully licensed judge at the event to officiate in place of the back-up judge.

Section 9. Ring and Event Grounds Cleanup. Exhibitors are required to clean up after their dogs if they foul the ring or anywhere on the event grounds. If in the ring, the handler must either clean up after their own dog or assist the ring crew in cleaning the ring. Exhibitors who fail to clean up after their dogs may be directed by the Event Committee to leave the event grounds.

Section 10. Interfering with the Judge. No person may interfere with the judge in any way while they are judging a class.

Section 11. Complaints about the Judge's Scoring. By entering a UKC event, the exhibitor is inviting the opinion of the judge and must accept the judge's decision as final. Exhibitors are encouraged to discuss performances with judges but must not argue about the judge's scoring or class placements. Complaints about the judge may only be lodged with the host club if the exhibitor believes the judge has violated a specific UKC rule. Complaints about a judge's knowledge or application of UKC Obedience rules may be filed with UKC but must address specific deficiencies. Complaints must provide the name of the judge, the name of the host club, and the date of the event.

CHAPTER 5. ENTRY ELIGIBILITY FOR LICENSED CLASSES

Section 1. Pre-Novice Class. There will be no divisions for the Pre-Novice class.

- Eligibility. Any exhibitor with any dog that has not earned a Novice (UCD) title or its equivalent in any other organization may compete in this class.
 - o The exhibitor does not need to own the dog entered.
 - o An exhibitor may show two or more dogs in this class.
- Restrictions.
 - o Once a dog has earned a Novice (UCD) title or its equivalent, that dog may no longer compete in the Pre-Novice class.
 - o ***Dogs eligible for Pre-Novice are not eligible for Open or Utility***

Section 2. Beginner Novice Class. There are no divisions for the Beginner Novice class.

- Eligibility. Any exhibitor with any dog that has not earned an Open (UCDX) title or its equivalent in any other organization may be entered in this class.
 - o The exhibitor does not need to own the dog entered.
 - o An exhibitor may show two or more dogs in this division.
- Restrictions.
 - o Once a dog has earned an Open (UCDX) title or its equivalent, the dog may no longer compete in any Beginner Novice class.
 - o ***Dogs eligible for Beginner Novice are not eligible for Utility.***

Section 3. Novice Class. There are three divisions in the Novice class. Qualifications for each division is found below.

- **Division A. Eligibility.** The exhibitor must own the dog or must be a member of the recorded owner's immediate family.
 - o Any exhibitor who has not handled a dog to a Novice (UCD) title or its equivalent may be entered in this class.
 - o Any dog that has not earned a Novice (UCD) title or its equivalent in any other organization may be entered in this class.

- o An exhibitor may show two or more dogs in this division.
- **Division A. Restrictions.**
 - o No licensed or professional dog trainer or obedience instructor, regardless of the person's status as an amateur or professional, may compete in this division.
 - o No person licensed to judge Obedience in any organization may compete in this division.
 - o No person who has handled a dog to the Novice (UDC) title, or its equivalent may compete in the Novice A class but may continue to compete in the Novice B or Novice C class.
 - o Once a dog has earned the Novice (UCD) title, that dog may no longer compete in the Novice A or Novice B class but may compete in the Novice C class.
- **Division B. Eligibility.**
 - o Any exhibitor with any dog that has not earned a Novice (UCD) title may compete in this division. The exhibitor does not need to own the dog entered.
 - o An exhibitor may show two or more dogs in this division.
- **Division B. Restrictions.**
 - o Any dog that has earned a Novice (UCD) title, is ineligible to compete in this division.
 - o Once the dog has earned a UCD title, that dog may no longer compete in this division, but may continue to compete in the Novice C class.
 - o An exhibitor may show two or more dogs in this division.
- **Division C. Eligibility.**
 - o Only dogs that have earned a UKC Novice (UCD) title may compete in this division.
 - o The exhibitor does not need to own the dog entered.
 - o An exhibitor may show two or more dogs in this division.
 - o Dogs that have earned the Obedience Champion (UOCH) title or its equivalent in any other organization are not eligible to compete in the Novice C class.

Section 4. Advanced Novice Class. There will be no divisions in the Advanced Novice class.

- **Eligibility.** Any exhibitor with any dog that has not earned an Obedience Champion (UOCH) title or its equivalent in any other organization may compete in this class.
 - o The exhibitor does not need to own the dog entered.
 - o An exhibitor may show two or more dogs in this class.
- **Restrictions.**
 - o Once a dog has earned an Obedience Champion (UOCH) title or its equivalent in any other organization that dog may no longer compete in any Advanced Novice class.

Section 5. Open Class. There are two divisions in the Open class. Qualifications for each division is found below.

- **Requirements.** A dog must have earned the Novice (UCD) title to enter the Open class.
- **Division A. Eligibility.**
 - o The exhibitor must own the dog entered or be a member of the recorded owner's immediate family.
 - o Any dog that has not earned a Companion Dog Excellent (UCDX) title or its equivalent in any other organization may compete in this division.
 - o An exhibitor may show two or more dogs in this class.
- **Division A. Restrictions.**
 - o No licensed or professional dog trainer or obedience instructor teaching obedience at the UCDX level or higher, regardless of the person's status as an amateur or professional, may compete in this division.
 - o No person licensed to judge Obedience in any organization may compete in this division.
 - o Once the dog has earned a Companion Dog Excellent (UCDX) title, that dog may no longer compete in Division A of the Open Class.
- **Division B. Eligibility**
 - o Any exhibitor with any dog that has earned a Novice (UCD) title or higher may compete in this division. The exhibitor does not need to own the dog entered.
 - o An exhibitor may show two or more dogs in this class.

Section 6. Advanced Open Class. There will be no divisions in the Advanced Open class.

- **Eligibility.** Any exhibitor with any dog may compete in this class.
 - o The exhibitor does not need to own the dog entered.
 - o An exhibitor may show two or more dogs in this class.
- **Restrictions.**
 - o There are no restrictions to enter this class.

Section 7. Utility Class.

- **Requirements.** A dog must have earned the Companion Dog Excellent (UCDX) title to enter the Utility class.
- **Division A. Eligibility.**
 - o The exhibitor must own the dog entered or be a member of the recorded owner's immediate family.
 - o An exhibitor may show two or more dogs in this class.
 - o Any dog that has not earned a Utility Dog (UUD) title or its equivalent in any other organization may compete in this division.
- **Division A. Restrictions.**
 - o No licensed or professional dog trainer or obedience instructor teaching obedience at the Utility level or higher, regardless of the person's status as an amateur or professional, may compete in this division.
 - o No person licensed to judge Obedience in any organization may compete in this division.
 - o Once the dog has earned a Utility (UUD) title, that dog may no longer compete in Division A of the Utility Class.
- **Division B. Eligibility.** Any exhibitor with any dog that has earned Open (UCDX) title or higher may compete in this division. The exhibitor does not need to own the dog entered.
 - o An exhibitor may show two or more dogs in this class.
- **Division B. Restrictions.** There are no restrictions to enter this class.

Section 8. Master Class. There will be no divisions for the Master class.

- **Eligibility. Any exhibitor with any dog may compete in this class.**
 - o The exhibitor does not need to own the dog entered.
 - o An exhibitor may show two or more dogs in this class.
- **Restrictions.**
 - o There are no restrictions to enter this class.

Section 9. Elite Class. There will be no divisions for the Elite class.

- **Eligibility. Any exhibitor with any dog may compete in this class.**
 - o The exhibitor does not need to own the dog entered.
 - o An exhibitor may show two or more dogs in this class.
- **Restrictions.**
 - o There are no restrictions to enter this class.

Section 10. Class Restrictions.

- No dog may be entered in any class for exhibition only.
- No dog may be entered more than once in the same Obedience class.
- No dog may be entered in more than one division of the Novice, Open, or Utility class.
- No dog may be entered in the A divisions of the Novice B/C, Open, and Utility class at the same trial.
- No dog may be entered in the A or B divisions of the Novice class and an Open class at the same trial.
- No dog may be entered in the A division of the Open class and a Utility Class at the same trial.
- ***Dogs eligible to enter Pre-Novice are not eligible to enter Open or Utility.***
- ***Dogs eligible to enter Beginner Novice are not eligible to enter Utility.***
- A dog that has earned a UCD may not compete in Pre-Novice, Novice A, or Novice B, but may compete in Novice C, Open class, and any other additional titling classes.
- A dog that has earned a UCDX title may not compete in the Pre-Novice or Beginner Novice classes but can continue to compete in the Novice C, Open B, Utility, and any other additional titling classes.
- A dog that has earned a UUD title may not compete in Pre-Novice, Beginner Novice, Novice A, or Novice B classes but can continue to compete in the Novice C, Open B, Utility B, and any other additional titling classes.
- A dog that has earned the UOCH title may no longer compete in the Novice C or Advanced Novice classes but may continue to compete in the Open B, Advanced Open, Utility B, Master, and Elite classes.

CHAPTER 6. RULES APPLYING TO LICENSED CLASSES

Section 1. Scheduled Classes. All licensed Obedience classes, including all the additional titling classes with the exception of the Elite class, must be offered at every UKC licensed Obedience trial. UKC Obedience titles may only be earned in licensed classes. With written permission from UKC, single breed clubs and specialty clubs may offer licensed classes for Novice only or Novice and Open only at their discretion. Elite classes may be offered as a stand-alone event without having to offer any other licensed Obedience classes.

Section 2. Order of Class Judging. Licensed classes may be judged in any order determined by the club. The divisions (A/B/C), within each licensed class may be judged in any order. Non-licensed classes may be judged in any order but may not interfere with the judging of licensed classes.

Section 3. Order of Judging Dogs. It is recommended that dogs be judged in numerical order within each class, according to the armband number. Dogs may also be judged according to their jump height. The judge has the discretion to allow a dog to be judged out of sequence at the request of the handler.

Section 4. Requirement to Judge an Entire Class. If two or more judges are used at a trial, one judge must judge an entire class, except for judges who are trialing their own dog and using the back-up judge system.

Section 5. Entry Limits Allowed per Judge per Day. *Clubs should make every effort to ensure that a judging assignment does not exceed eight hours per day. This is approximately 75-85 entries per day depending on the classes entered. Judges are limited to judging no more than 8 hours per day.*

UKC Obedience Class	Time Allowance Per Run	UKC Obedience Class	Time Allowance Per Run
Pre-Novice	3 minutes	Advanced Open	5 minutes
Beginner Novice	4 minutes	Utility	6 minutes
Novice	5 minutes	Master	4-6 minutes
Advance Novice	5 minutes	Elite	4-6 minutes
Open	5 minutes		

Section 6. Limiting Entries. Clubs may not place any entry limits on any of the individual classes, nor may a club limit their Obedience entries below 56 entries, per judge, per day, without the written approval from UKC. Clubs that wish to limit the number of entries must submit their request in writing to UKC and receive approval. Once the entry limit has been reached, no additional entries may be accepted unless the club has established a wait list.

Section 7. Using the Same Judge for Obedience and Rally. *A club may use the same judge to officiate for both Obedience and Rally on the same day if that judge holds both the Obedience and Rally judging licenses. In such cases, the club must set an entry limit per event type so that the judge does not go over their 8-hour time frame.*

- *Clubs that do not set their entry limits will automatically be limited to accepting a total of 30 Obedience entries and 60 Rally entries.*

Section 8. Start Time. The start of an Obedience trial shall adhere as closely as possible to the advertised start time. Officiating judges who are entered into the Obedience trial under the back-up judge system may be judged any time prior to or after the trial.

Section 9. Honor Exercise. The Novice and Advanced Novice class include an honoring exercise that requires the presence of two dogs in the ring. When large classes are divided, the honoring dogs should be selected from the same divided section. When it is impossible or impractical to have an honoring dog from the same class or divided section, the judge may request the use of a courtesy dog.

Section 10. Honoring System. The judge may choose one of these honoring systems or any other system, provided that every exhibitor's dog has an equal opportunity to complete the requirements of the class. The most common systems used to select an honoring dog are:

- **Two by two paring.** Exhibitors are paired so dog #1 works before it honors while dog #2 honors before it works, then dog #3 works before it honors while dog #4 honors before it works and so forth until the class is completed. In classes of two, each dog will serve as honoring dog for the other.
- **Working prior to honoring.** A courtesy dog will act as the honoring dog while the first dog works. Then the first dog will honor for the second dog while it works and so forth. When it is the last dog's turn, the courtesy dog will work while the last dog completes its honoring exercise.
- **Last dog honor first.** *Allow the last dog in the class (either A or B) to honor for the first working dog.*
- **Working Dog:** The dog performing the exercises.
- **Honoring Dog:** The dog performing the down exercise in the ring while the working dog performs the other exercises.

Section 11. Courtesy Dogs for the Honoring and Working Exercise. The courtesy dog is a dog that is either not entered in the event at all or entered in a different class. When a courtesy dog is entered in the trial, but not in the class where it serves, no deductions shall be taken from the completed score should that dog fail while acting as the courtesy dog. A judge may excuse or disqualify a courtesy dog in accordance with the dog temperament rules found in the *Official UKC Rules for All-Breed Events, Misconduct & Discipline Guidelines*.

CHAPTER 7. RING PROCEDURES

Section 1. Checking In. The exhibitor is expected to know the scheduled trial starting time and to be present and ready to go when they are called. Upon arrival, the exhibitor should check in to determine the dog's armband number and the judging order.

Section 2. Leash Requirements. Exhibitors are always expected to keep their dogs under control. When not exhibiting, dogs must be on a leash held by a handler or may be in a crate. When exhibiting, every dog must enter and leave the ring on a leash. Exhibitors who fail to leave with the dog on leash shall be penalized with a major handler fault. The Event Committee may expel from the event grounds any person whose failure to control a dog interferes with judging or with the ability of other exhibitors to present their dogs.

Section 3. Ring conflicts. A club offering an event that has more than one activity or a trial with more than one ring should anticipate the likelihood of conflicts and be prepared to handle them. If the exhibitor believes they may have ring conflicts, they must notify the stewards of possible conflicts before the classes start.

The judge may allow the exhibitor to show out of order, but the exhibitor must be flexible enough to deal with the requirements likely to result from multiple entries. Should the class be completed prior to the exhibitor's run and the next class has begun, the exhibitor will be marked absent. Exhibitors are responsible for being ringside when it is their turn to exhibit. Judges have the final say and are not required to wait for dogs.

Section 4. Barking and Whining. Dogs may be penalized for barking or whining, depending upon the degree of intensity and frequency of barking or whining. A dog that barks or whines once or twice during any single exercise should not be penalized. A dog that barks or whines once or twice during more than one exercise may be penalized up to a non-qualifying score. A dog that barks continuously throughout the performance must receive a non-qualifying score.

Section 5. Fouling the Ring. A dog that eliminates, spits up, or vomits in the ring at any time must be excused and may not compete in any remaining exercises. The excusal must be recorded on the judges' book.

Section 6. Leaving the Ring. A dog that leaves the ring and does not return to the handler must not receive a qualifying score. The judge must excuse the handler and the excusal must be recorded on the judges' book.

Section 7. Asking to be Excused. A handler may ask to be excused at any time, from any class, and for any reason. The excusal will be recorded on the judges' book. ***Once a handler asks to be excused, judges cannot require them to remain in the ring.***

Section 8. Excusing a Handler. The judge must excuse a handler who exhibits poor sportsmanship. The dog of the excused handler may not continue in the class or return in the same class with another handler. The judge's decision in these matters is final.

Section 9. Excusing a Dog. A dog that shows fear or extreme shyness inside or outside the ring or a dog whose behavior is not responsive or under the handler's control must be excused and the excusal must be marked on the judges' books.

Section 10. Dog Temperament and Behavior. A dog that demonstrates aggression to any person or other dogs while in the ring during the scored performance must be excused.

Section 11. Dog Abuse. Any person who observes dog abuse on the event grounds must report it to a member of the event committee or an officer of the host club.

- A member of the event committee or officer of the host club who becomes aware dog abuse on the event grounds must consider it misconduct and treat the incident in accordance with the *UKC Misconduct and Discipline Guidelines, Category 1*.
- A judge who is made aware that dog abuse on the event grounds must not allow the handler to compete and must report the matter in accordance with the *UKC Misconduct and Discipline Guidelines, Category 1*.

CHAPTER 8. JUDGING STANDARDS, GENERAL SCORING, AND DEDUCTIONS

Section 1. Judging Standards. The method of judging each Obedience performance adopted in these regulations is intended to reflect the handler's sportsmanship and ability to direct the dog to efficiently and to accurately perform each of the exercises. The dog/handler team should perform all aspects of the exercises with enthusiasm and at a brisk, natural pace.

- In all classes, the judge may deduct Major or Minor points, depending on the extent of the deviation from the ideal performance for any exercise.

Section 2. Commands, Signals, Orders.

- **Commands.** A command is a spoken instruction given by the handler to the dog and may be used by the handler to convey instructions to the dog at any time.
- **Signals.** A signal is a hand or hand and arm movement that may be used by the handler at any time to convey instructions to the dog. Signals given by the handler should be one continuous movement using the hand and arm only. A judge may use signals to convey instructions to the handler.
- **Orders.** An order is the instruction given by the judge to the handler. Orders may be spoken or given by signal.
- **Commands and/or Signals.** When the rules indicate the handler may give a command and/or signal, both a command and a signal are allowed.
- **Additional Commands and Signals.** While in the Obedience ring, the use of multiple commands or hand signals is not allowed in certain classes. Excessive body movement may be penalized for giving the dog additional signals. Once a handler has given a signal, they must immediately return their hand to a natural position. In classes where additional commands

and signals are not allowed, exhibitors who use signals or verbal or audible means of communication to encourage their dog while being judged will receive point deductions.

Section 3. General Presentation. Judges must evaluate each performance by a team to an ideal in which the dog performs precisely and willingly for a handler that is gentle and at ease. Lack of precision or signs of fear or unhappiness on the part of the dog must be penalized, as must harshness or roughness on the part of the handler.

Section 4. Communication with the Dog. The dog's name may be used when giving commands provided there is no pause between speaking the name and giving the command. A lengthy pause between the name and the command may cause the judge to consider the phrase to be two commands **and a penalty will apply**. In all cases where the rules allow a handler to combine a voice command with a hand signal, the command and signal must be given simultaneously.

When a signal is required in a heeling exercise, a handler may use the normal forward motion of their body as the signal without penalty. When moving between exercises, a handler may give verbal praise and encouragement. Harsh commands or clapping loudly to obtain the dog's attention are to be penalized. Handlers may not use the leash, collar, or any part of the handler's body to move the dog against its will or force it into any position. A major deduction will be imposed for each infraction.

Section 5. Hand Position. During any Heel Off Leash exercise, the handler's hands must both hang freely at their sides or the left arm and hand may be carried pressed against the handler's body at the center of the waist, with the elbow bent. Handlers with large dogs should not be penalized if their arms are hanging freely at their sides if the left arm is held slightly out and on the left side of the dog, so as not to hit the dog. Arms may swing naturally with the movement of the handler's body to maintain balance. Judges may penalize any arm or hand movement that in the judge's opinion appears to aid the dog. In all exercises, except the Pre-Novice and Beginner Novice class, where the dog returns to a front position, the handler must stand with hands at their sides or receive a major deduction.

Handlers may not move their hands or arms when a dog sits in front other than to give the command and/or signal for the dog to return to heel position. Additional movement of hands or arms while the dog is returning to the heel position and before the order "Exercise Finished" is given will be considered an additional command or signal and will be penalized.

Section 6. Heel Position. In the heel position, whether walking, standing, sitting, or lying down, the dog is on the handler's left side, facing the same direction as the handler. While heeling, the dog's body should be as close as possible to the handler without touching the handler's leg or body or interfering with the handler's freedom of movement. In the heel position, the length of the dog's body remains straight and parallel to the line of forward motion.

In an ideal heel position, the dog's withers are even with the handler's hip, but a heel position is acceptable if any part of the dog between the withers and the tip of the nose remains even with the handler's hip. For those exercises where a dog must heel on leash, the leash may be held in either one or both hands, but the hand(s) must be held close to the body and the leash must be slack. Any tightening or jerking of the leash, extra commands or signals, or excessive hand or arm motions will be penalized.

Section 7. Moving Between Exercise Locations. In the Beginner Novice or Novice class, the handler may gently lead the dog from one exercise to another. Handlers that are overenthusiastic and dogs that are out of control between exercises may be penalized.

Section 8. Luring. Handlers must not coax or lure the dog into performing any exercise. Any excessive body movements, such as the handler bending over, or using their hand or arm directly in the dog's face to guide the dog, can be considered luring. Handlers who lure a dog where the dog would not have performed the required exercise may be penalized up to the extent of non-qualifying, depending upon the extent of the deviation.

Section 9. Starting and Finishing a Performance. Judging begins once the handler indicates they are ready. A judge may assess a major or minor deduction for a handler who delays the start of their performance upon the first order of the judge.

Section 10. Unsportsmanlike Behavior. A judge may penalize an exhibitor for unsportsmanlike behavior in the ring by deducting points for each infraction. A judge who observes unsportsmanlike behavior that rises to the level of abuse must excuse the handler and the excusal must be recorded on the judges' book. The judge may file a misconduct complaint with the Event Secretary.

CHAPTER 9. JUDGING PROCEDURES

Section 1. Eligibility to Judge a UKC Licensed Obedience Trial. No person may judge a UKC Licensed Obedience trial unless they hold a current UKC Judge's license for Obedience and are in good standing with UKC.

Section 2. Judging Schedule. When the event site only accommodates a single ring and a club is offering both conformation and a performance event, conformation shall be judged last. Non-licensed classes must be scheduled so that they do not interfere with the judging of licensed classes.

Section 3. Judges' Books and Score Sheets. Judges are responsible for the accuracy of the information in their judges' books. Each judge must sign the judges' book upon the completion of a class and return it to the Event Secretary. The Event Secretary must provide the judge with one copy of the signed judges' books prior to the judge leaving the show grounds on the last day of their assignment. The judge is required to keep all judges' books and score sheets on file for a period of one year after the judging assignment.

Section 4. Judging and Exhibiting. The following applies to all UKC licensed judges. No judge may disrupt, delay, or reschedule an event in which they have entered a dog to fulfill or complete their judging assignment. No judge may disrupt, delay, or reschedule an event where they are officiating to facilitate exhibiting their dog. See the *Official UKC Rules for All-Breed Events* for more information.

Section 5. Judges' Authority in the Ring. The judge may use whatever reasonable procedures necessary to evaluate each dog's performance in an effective and efficient manner. The same procedures will be used to judge each dog in a class. The judge should always consider the safety of both the dog and the handler.

Section 6. Judges' Decisions. Judges are encouraged to speak to exhibitors about their dog's performance. Judges are not required to maintain conversation with angry or upset exhibitors. Judges may not ask an exhibitor any unnecessary questions regarding the dog while in the ring. All questions or disputes occurring at an Obedience trial shall be resolved by the judge.

The judge's decision on the day of the trial is final.

Section 7. Deducting Points for Unsportsmanlike Behavior. A judge may penalize a handler for unsportsmanlike behavior in the ring by deducting points or by filing a misconduct complaint. A judge who observes a handler abusing a dog in the ring must excuse the handler, give the dog a non-qualifying score and write the reason for the excusal on the judge's book. An official misconduct complaint must be filed with the Event Secretary.

Section 8. Warm-Ups. All rules governing Obedience trials shall apply in the warm-up area. Exhibitors may elect to warm up their dogs prior to exhibiting. Warm-ups are to be kept simple and must not interfere with another exhibitor's performance in the ring. Training on the grounds, except in the designated warm-up area of a licensed trial, is not permitted. A host club may elect to set an area or ring aside for warm-ups.

The warm-up area must not disturb or interfere with the trial area. It is recommended that the warm-up ring be in a separate facility or area which may have one jump. Only one dog and handler team at a time may use this area. Dogs on deck will have priority in the warm-up ring. If there is not designated warm-up area, exhibitors may use an area outside of trial grounds to warm-up their dogs if the handler and dog are not disruptive to competition and the dog is on a leash that is held by the handler.

Section 9. Starting Positions for Working and Honor dog. On direction of the judge, the working team in the Novice or Advanced Novice class will enter the ring first and follow the steward to the designated area with the dog on lead and will place their dog in a sit position before the greeting exercise takes place. Once the greeting exercise has been completed, the working team will position themselves at the starting position designated by the judge and will wait for the first order. The honoring team will then enter the ring on direction of the judge or steward and follow the steward to the designated area where the honor exercise will take place and will wait for the judge's orders.

Section 10. When Judging Begins. Dogs must enter and exit the ring on leash. Judging does not begin until the handler states that they are ready, but a judge may deduct points for a handler's inability to control the dog or for misbehavior from the moment the dog and handler enter the ring until they exit.

Section 11. Judges' Evaluation of a Performance. Judges must evaluate each performance to an ideal in which the dog performs appropriately and willingly for a handler who is gentle and at ease. Deviations and point deductions will be determined by the judge based upon the performance of the dog and handler. It will be at the judge's discretion whether to assess major, minor, or non-qualifying scores during a performance.

Section 12. Repeating an Exercise. A judge may allow an exhibitor to repeat an exercise in its entirety only when the dog's performance was unfairly hindered by extraordinary circumstances over which the handler had no control. Judges may only allow this when it will not give an unfair advantage to any dog. No dog will be allowed to repeat only a part of an exercise unless it is a two-part exercise, in which case the judge may choose to repeat only the part of the two-part exercise in which the extraordinary circumstance occurred (i.e. the Consecutive Recall in Utility).

Section 13. Qualifying Performance. The maximum number of points that may be earned in any Obedience class is 200 points. The team must retain a minimum of 170 of the 200 points to earn a qualifying score. A dog earns a qualifying score in any division of any Obedience class when it earns a score of 170 points or greater and more than 50 percent of the maximum points assigned to each exercise.

Section 14. Scoring. The maximum number of points that may be earned in any division of any obedience class is 200. Fault deductions of ½ point and up are subtracted from a perfect 200 score.

Section 15. Types of deductions.

- Minor deduction - A deduction of ½ point to 2 points
- Major deduction - Any deduction equal to or greater than 2½ points
- **Mandatory Deduction – A mandatory deduction of 10 points**
- Non-Qualifying Score – A deduction that is greater than 50 percent of the maximum points assigned to a specific exercise that will eliminate the exhibitor from earning a qualifying score.
- There will be no deduction less than ½ point taken from a score

CHAPTER 10. STANDARD AND MINIMUM JUMP HEIGHT

Section 1. Determining A Dog's Height. A dog's height is determined by drawing a straight line from the top of the withers perpendicular to the ground while the dog is standing normally and not leaning. Each exhibitor is required to include the height of the dog when entering Obedience. When entering a dog, the handler must select either Standard or Minimum jump height and distance and may not choose an intermediate height or distance. Any dog is eligible to jump the Minimum jump height of ¾ their height regardless of age or breed. A judge may require that any dog be measured. The judge's determination of the dog's height is final.

Section 2. Standard and Minimum Jump Height.

- **Standard Height.** Exhibitors who choose Standard height and width will have all jumps set at the normal height and width outlined in the Standard Jump Height & Distance Table.
- **Minimum Height.** Exhibitors who choose Minimum height and width will have all jumps set at the height and width outlined in the Minimum Jump Height & Distance Table.

Section 3. Determining Standard Jump Height and Distance (Page 74).

- For the High Jump and Bar Jump, a dog shall jump the height of its withers rounded down to the nearest even whole number,

except that no dog shall jump less than 6 inches or more than 24 inches.

- o For example, an 18-inch dog shall jump 18 inches, but a 17½-inch dog shall jump 16 inches.
- For the Broad Jump, a dog shall jump a distance that is twice the height of the dog at the withers, rounded down to the nearest even whole number, except that no dog shall jump less than 8 inches or more than 48 inches. Height at withers shall be rounded down to the closest whole number before being multiplied by two for the purpose of setting jump distance.
 - o For example, an 18-inch dog shall jump 36 inches (18 x 2) but a 17½-inch dog shall jump 34 inches (17 x 2).

Section 4. Determining Minimum Jump Height and Distance (Page 74).

- For the High and Bar Jumps, minimum jump height shall be calculated by taking ¾ of the dog's height at the withers and rounding that down to the closest even whole number except that no dog shall jump less than 4 inches or more than 24 inches.
- For the Broad Jump, the minimum jump distance will be equal to twice the height of the minimum high jump setting for each dog.

CHAPTER 11. PRE-NOVICE INTRODUCTION, EXERCISES, PERFORMANCE, AND SCORING

Section 1. Purpose of the Pre-Novice Class. The purpose of this class is to give dogs and handlers the opportunity to gain experience working together as a team in a competitive atmosphere while performing the class exercises on leash.

Section 2. Additional Titling Class. Exhibitors do not have to enter or earn any other Obedience class or titles as a pre-requisite. *Dogs eligible for this class may also enter any other additional title licensed Obedience class at the same trial. Dogs entered in Pre-Novice class will not be eligible for Open or Utility classes, High in Trial or All Star points.*

Section 3. General Requirements. All exercises in the Pre-Novice class will be performed on leash. The handler must have a 6-foot leash for this class.

Section 4. Praise and Encouragement. In the Pre-Novice class, the handler may give extra commands, praise, and talk to their dog between and during all exercises. Excessive commands, talking, or encouragement may be penalized if the judge determines the dog would otherwise not be able to perform the exercise.

Section 5. Pre-Novice Title Requirements. The Pre-Novice title (PN) title must be earned from the Pre-Novice class. There are no divisions in the Pre-Novice class. The maximum score that may be earned in this class is 200 points. A minimum qualifying score will be 170 points and over 50 percent of each individual exercise. To earn this title, a dog must:

- Earn three qualifying scores from the Pre-Novice class at three different UKC licensed Obedience trials
- There is no restriction on the number of qualifying scores that may be earned under the same judge

Section 6. Pre-Novice Exercises and Maximum Points per Exercise. Scoring deductions shall be judged in accordance with the allowances described in this section.

Pre-Novice Point Scale

Pre-Novice Exercises	Exercise Maximum Points
Heel on Leash	40 points
Serpentine Loop 3 Cones	40 points
Sit for Exam	40 points
Down Stay	40 points
<u>Straight Recall</u>	<u>40 points</u>
Total Points	200 points

Section 7. Heel on Leash. The primary purpose of this exercise is to demonstrate the ability of the dog and handler to work together as a team and the ability of the dog to stay in heel position. Extra commands, praise, and encouragement are allowed without penalty if they are not excessive.

- **The judge's orders for this exercise are:**

- o Are you ready?
- o Forward
- o Halt
- o Left turn
- o Right turn
- o Slow
- o Fast
- o Normal
- o About turn
- o Exercise Finished

The “L” pattern is the only acceptable outline that may be used in the heeling portion of the Pre-Novice class. The above orders can be given in any sequence and repeated at the discretion of the judge. The judge must have the same sequence, pattern, and routine for all exhibitors, except under unusual circumstances, such as a section of the ring becoming unusable due to weather. The Fast and Slow portions of the heeling exercise must be followed by a Normal order before any other order may be given.

Instructions. The handler enters the ring with the dog on a loose leash and the judge or steward will direct the handler to the location where the Heel on Leash exercise will begin. The handler then places the dog sitting in heel position. The judge asks the handler if they have any questions. If there are no questions, the judge will ask the handler “Are you ready?” Judging will begin when the handler indicates they are ready. The judge will then order “Forward.”

The handler may give a command and/or signal instructing the dog to heel. The normal forward motion of the handler’s body is a valid signal to the dog to heel, so a judge may not penalize a handler for failing to give a verbal command to heel. The handler will move at a normal pace with a smooth, natural gait. Each time the order “Halt” is given, the handler will stop, and the dog will automatically stop and sit promptly in heel position.

The dog shall remain sitting in heel position until the judge gives the next order to the handler. When the judge gives the “About Turn” order, the handler shall turn to the right, so the dog will have to travel the greater distance. The “Fast” order means the handler approximately doubles their normal pace. The “Slow” order means the handler slows their normal pace by approximately one-half.

Scoring Heel on Leash.

Non-Qualifying.

- Handler continually adapting to the dog’s pace
- Handler constantly controlling the dog with a tight leash
- Handler continuously praising and talking to the dog while heeling.

Major Deductions.

- Failure of dog to sit at a halt
- Dog constantly sniffs ground during heeling

Additional Major or Minor Deductions. Depending on the extent of the deviation from the ideal for any exercise, a major or minor deduction may be incurred. Deductions can occur for deviations not listed below at the discretion of the judge.

- Failure of dog or handler to change pace at the judge’s order during the heeling portions of exercise
- Occasional tight leash
- Dog out of heel position before it is given a command and/or signal from the handler
- Dog anticipating command and/or signal
- Dog crowding the handler, forging, heeling wide, heeling in improper position, lagging, poor sit, sniffing, or any additional heeling imperfections

Section 8. Serpentine Loop – 3 Cones. The primary purpose of this exercise is to demonstrate the dog’s ability to speed up and slow down with the handler’s pace as they weave in and out of a set of cones.

- **The judge’s orders for this exercise are:**
 - o Are you ready?
 - o Forward
 - o Exercise finished

Instructions. This exercise requires the use of 3 cones or pylons placed in a straight line approximately 6 feet apart. The handler begins this exercise with the dog sitting in heel position on either side of the first cone. The judge will ask the handler “Are you ready?” When the handler indicates they are ready, the judge will order the handler “Forward.” The team will enter the series of cones on either side of the first cone.

The team will then weave between each cone until they reach the last cone, where they will make a turn around the last cone and weave back toward the first cone. When the team reaches the first cone, the judge will say, “Exercise Finished.” There shall be no halts or sits required on this exercise after the “Forward” command by the judge.

Scoring Serpentine Loop – 3 Cones. Scoring will be identical to the Pre-Novice Heel on Leash exercise.

Additional Non-Qualifying.

- Failure of the team to weave between the cones

Additional Major or Minor Deductions. Depending on the extent of the deviation from the ideal for any exercise, a major or minor deduction may be incurred. Deductions can occur for deviations not listed at the discretion of the judge.

- Bumping a cone
- Failure of the handler to maintain a constant pace
- Dog does not change pace while weaving between cones

Section 9. Sit for Exam. The primary purpose of this exercise is to demonstrate the dog’s ability to sit in place and allow a stranger to approach and touch the head of the dog without showing resentment or shyness.

- **The judge's orders for this exercise are:**

- o Are you ready?
- o Sit your dog and leave when ready
- o Exercise finished

Instructions. The handler will take the dog to the location designated by the judge. The judge will ask the handler "Are you ready?" When the handler indicates they are ready, the judge will order the handler to "Sit Your Dog and Leave When Ready." The handler will then sit the dog using any method. The handler may talk to the dog while physically setting the dog up, provided it is done gently.

A reasonable amount of time may be taken to sit the dog. When the handler is ready to leave the dog, the handler does not have to be in the heel position but must be reasonably close to the dog when giving the command and/or signal for the dog to stay. The handler's hands must remain off the dog when giving the stay command. Judging begins when the stay command is given.

The handler leaves the dog by taking two steps forward, turns, and faces the dog. The leash should be gathered so that it has a slight slack. The judge will approach the dog from the front and will only touch the dog's head once and will move away. When the judge finishes the exam, the exercise will be over, and the judge will say "Exercised Finished."

Scoring Sit for Examination.

Non-Qualifying.

- Handler prevents or holds the dog from moving after giving the stay command
- Dog moves away from the judge or from the place it was left after the stay command, either before or during the exam
- Dog changes position before or during the exam
- Judge is unable to examine the dog

Major Deductions.

- Dog resists being placed in a sitting position
- Handler is unnecessarily rough when sitting up the dog
- Handler is not reasonably close to dog when giving the stay command and/or signal after leaving the dog
- Handler touches the dog while giving the stay command and/or signal

Major or Minor Deductions. Depending on the extent of the deviation from the ideal for any exercise, a major or minor deduction may be incurred. Deductions can occur for deviations not listed below at the discretion of the judge.

- Dog changes position or moves a short distance after judge has examined it but before the order "Exercise Finished"
- Dog shows shyness or resentment, before, during or after the exam

Section 10. Down Stay. The primary purpose of this exercise is to have the dog remain in place as the handler walks 6 feet away and returns to the dog.

- **The Judge's orders for this exercise are:**

- o Are you ready?
- o Down your dog and leave when ready
- o Exercise Finished

Instructions. The handler will take the dog to the designated area for the exercise. The judge will ask the handler "Are you ready?" When the handler indicates they are ready, the judge will order the handler to "Down Your Dog and Leave When Ready." The handler will then command and/or signal the dog to down. The handler may not physically force the dog into a down position but may place their hand gently on the dog's withers while giving the down command and/or signal.

When the handler is ready to leave the dog, the handler must be standing but does not have to be in the heel position when giving the command and/or signal for the dog to stay. Judging begins when the stay command is given.

The handler will leave the dog, go to the end of the leash without looking back at the dog, turn around to face the dog and pause before returning to heel position by going either immediately to the right of the dog or counterclockwise, around and behind the dog. The handler will remain standing in heel position and the dog will remain in the down position until the judge says, "Exercise Finished."

Scoring the Down Stay.

Non-Qualifying.

- Dog refuses to down
- Dog sits or stands up before the handler returns
- Dog crawls more than its body length from its position after the stay command

Major Deductions.

- Dog resists being placed in down position
- Handler is unnecessarily rough when downing dog
- Handler is not reasonably close to dog when giving the stay command and/or signal after leaving dog

- Handler touches the dog while giving the stay command and/or signal
- The dog crawls more than a short distance from its position after the stay command
- Dog sits or stands up after the handler returns to heel position
- Handler fails to return to heel position

Major or Minor Deductions. Depending on the extent of the deviation from the ideal for any exercise, a major or minor deduction may be incurred. Deductions can occur for deviations not listed at the discretion of the judge.

Section 11. Straight Recall. The primary purpose of this exercise is to demonstrate the dog's willingness to stay where placed and, when called, immediately come to its handler. A jump will not be used for the straight recall.

- **Judge's orders for this exercise are:**
 - o Are you ready?
 - o Leave your dog
 - o Call your dog
 - o Exercise Finished

Instructions. The handler will take the dog to the designated area for this exercise. The dog will be sitting next to the handler in heel position. The judge will ask the handler, "Are you ready?" When the handler indicates they are ready, judging will begin. On the judge's order to "Leave Your Dog," the handler will give a command and/or signal for the dog to stay. The handler will then walk forward to the end of the 6-foot leash and turn and face the dog, then wait for the order from the judge to "Call your Dog."

The handler gives the command and/or signal for the dog to come and may take up to three (3) steps backwards when calling their dog. The dog must immediately come to the handler, close enough for the handler to touch, a sit in front is not required. Once the dog has completed the recall, the judge will say "Exercised Finished."

Scoring the Straight Recall

Non-Qualifying.

- Dog moves out of position after the handler commands and/or signals the dog to stay
- Dog comes before the handler commands and/or signals the dog to come
- Dog fails to come to the handler
- Dog comes but is more than arm's length away from the handler

Major Deductions.

- Dog lies down or stands after commanded to stay
- Dog hesitates before coming or comes too slowly
- Handler takes more than three steps backwards when calling the dog

Major or Minor deductions. Depending on the extent of the deviation from the ideal for any exercise, a major or minor deduction may be incurred. Deductions can occur for deviations not listed at the discretion of the judge.

CHAPTER 12. BEGINNER NOVICE INTRODUCTION, CLASS EXERCISES, PERFORMANCE, AND SCORING

Section 1. Purpose of the Beginner Novice Class. The primary purpose of this class is to give handlers and dogs the opportunity to experience traditional obedience in a more relaxed competition environment while using modified Novice Obedience exercises.

Section 2. Additional Titling Class. Exhibitors do not have to enter or earn any other Obedience classes or titles as a pre-requisite. *Dogs eligible for this class may also enter any other additional title licensed Obedience class at the same trial. Dogs entered in the Beginner Novice class will not be eligible for the Utility class, High in Trial or All Star Points.*

Section 3. General Requirements. All exercises in the Beginner Novice class shall be performed on leash, except for the recall over the high jump and the sit-stay. The handler must have a 6-foot leash for this class.

Section 4. Praise and Encouragement. In the Beginner Novice class, the handler may give the dog praise and encouragement in accordance with the following:

Handlers may:

- Praise and talk to their dogs between exercises
- Give gentle commands between exercises
- Gently lead or guide the dog to the next exercise location using the leash or collar without penalty
- When allowed by the exercise, give encouragements, praise, or extra commands without penalty

Handlers may not:

- Use any part of their body to move the dog against its will
- Force the dog into any position
- Give additional encouragements or praise in any exercise that does not specify it may be given

Section 5. Beginner Novice Title Requirements. The Beginner Novice (BN) title must be earned from the Beginner Novice class. The maximum score that may be earned in this class is 200 points. A minimum qualifying score will be 170 points and over 50 percent of each individual exercise. To earn this title, a dog must:

- Earn three qualifying scores from the Beginner Novice class at three different UKC licensed Obedience trials
- There are no restrictions on the number of qualifying scores that may be earned under the same judge.

Section 6. Beginner Novice Exercises and Maximum Points per Exercise. Scoring deductions shall be judged in accordance with the allowances described in this section.

Beginner Novice Point Scale

Beginner Novice Exercises	Exercise Maximum Points
Heel on Leash and Figure 8	45 points
Stand or Sit for Exam	30 points
Down Stay / Walk Away	45 points
Recall over High Jump	35 points
<u>Sit Stay</u>	<u>45 points</u>
Total Points	200 points

Section 7. Heel on Leash and Figure Eight. This exercise has two parts. The primary purposes of these exercises are to demonstrate the ability of the dog and handler to work together as a team and the ability of the dog to stay in the heel position.

- **The judge's orders for this exercise are:**

- o Are you ready?
- o Forward
- o Halt
- o Left turn
- o Right turn
- o Slow
- o Fast
- o Normal
- o About turn
- o Exercise Finished

The "L" pattern is the only acceptable outline that may be used in the heeling portion of the Beginner Novice class. The above orders can be given in any sequence and repeated at the discretion of the judge. The judge must have the same sequence, pattern, and routine for all exhibitors, except under unusual circumstances, such as a section of the ring becoming unusable due to weather. The Fast and Slow portions of the heeling exercise must be followed by a Normal order before any other order may be given.

Instructions. The handler will enter the ring with the dog on a loose leash and the judge or steward will direct the handler to the location where the Heel on Leash exercise will begin. The handler then places the dog sitting in heel position. The judge asks the handler if they have any questions. If there are no questions, the judge will ask the handler "Are you ready?" Judging will begin when the handler indicates they are ready. The judge will then order "Forward."

The handler may give a command and/or signal instructing the dog to heel. The normal forward motion of the handler's body is a valid signal to the dog to heel, so a judge may not penalize a handler for failing to give a verbal command to heel. The handler will move at a normal pace with a smooth, natural gait. Each time the order "Halt" is given, the handler will stop, and the dog will automatically stop and sit promptly in heel position without the handler's assistance. The dog shall remain sitting in heel position until the judge gives the next order to the handler.

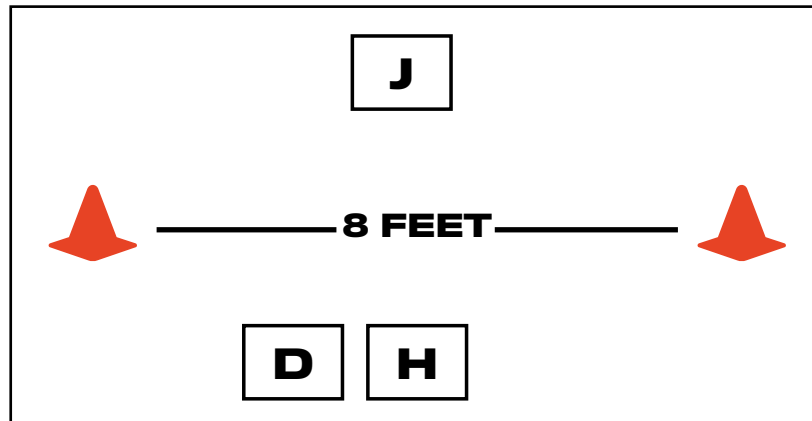
When the judge gives the "About Turn" order, the handler shall turn to the right, so the dog will have to travel the greater distance. The "Fast" order means the handler approximately doubles their normal pace. The "Slow" order means the handler slows their normal pace by approximately one-half. The handler will be allowed to give a maximum of 2 verbal praises (good dog, yes, etc.), during the heeling with no penalty deduction. The handler will be allowed to give 1 extra command, such as a second command to heel or a command to sit, during the heeling exercise without penalty.

Figure Eight Exercise.

- The judge's orders for this exercise are:
 - o Are you ready?
 - o Forward

- o Halt
- o Exercise finished

For this exercise, two cones will be placed approximately 8 feet apart in a place designated by the judge. The judge will stand midway between the cones, some distance back from them. The judge will face the exhibitor, who stands in the opposite position with the dog sitting in Heel position facing the judge.



Instructions. The judge will ask if the handler is ready before starting the Figure 8 routine. Once the handler indicates they are ready, the judge gives the order “Forward”, and the handler may command and/or signal the dog to heel and move forward between the cones. The handler may choose to go counterclockwise around the cone on the left or clockwise around the cone on the right. Whichever direction is chosen, the pattern must be continued once it has been established.

The handler must move at a normal pace with a smooth, natural gait. The dog must remain in the heel position. The dog should do at least one complete Figure 8 before a “Halt” is given. The dog and handler will complete the Figure 8 twice with one halt during the exercise and a halt at the end followed by the judge’s order “Exercise Finished.” The handler will be allowed to give a maximum of 2 verbal praises during the Figure 8 exercise without penalty. The handler will be allowed to give 1 extra command during the Figure 8 Exercise without penalty.

Scoring Heel on Leash and Figure 8.

Non-Qualifying.

- Handler gives 2 or more repeated or extra commands and/or signals during either the heeling or Figure 8 exercises
- Handler continuously praising or talking to the dog while heeling
- Handler continually adapting to the dog’s pace
- Handler constantly controlling dog with a tight leash

Major Deductions.

- Handler gives dog more than 2 verbal praises in heeling or Figure 8 exercises
- Failure of dog to sit at a halt
- Dog constantly sniffs ground during heeling

Major or Minor Deductions. Depending on the extent of the deviation from the ideal for any exercise, a major or minor deduction may be incurred. Deductions can occur for deviations not listed below at the discretion of the judge.

- Failure of handler or dog to change pace at the judge’s order during the heeling part of the exercise
- Occasional tight leash
- Dog out of heel position before it is given a command and/or signal
- Dog anticipating command and/or signal
- Dog crowding the handler, forging, heeling wide, heeling in improper position, lagging, poor sit, sniffing, or any additional heeling imperfections
- Dog sniffing a cone during the Figure 8

Section 8. Stand or Sit for Examination. The primary purpose of this exercise is to demonstrate the dog’s ability to stand or sit in place and allow a stranger to approach and touch the head of the dog without showing resentment or shyness. The handler may choose which position the dog will take.

- **The judge’s orders for this exercise are:**
 - o Are you ready?
 - o Stand or sit your dog and leave when ready
 - o Return to your dog
 - o Exercise finished

Instructions. *The handler will take the dog to the location designated by the judge and inform the judge if the dog will be doing a sit or a stand for the examination.* The judge will ask the handler “Are you ready?” When the handler indicates they are ready, the judge will order the handler to “Stand or Sit Your Dog and Leave When Ready.” The handler will then stand or sit the dog using any method.

The handler may talk to the dog while physically setting the dog up, provided it is done gently. A reasonable amount of time may be taken to stand or sit the dog. When the handler is ready to leave the dog, the handler does not have to be in the heel position but must be reasonably close to the dog when giving the stay command and/or signal. The handler’s hands must remain off the dog when giving the stay command. Judging begins when the stay command is given.

The handler will give a command and/or signal for the dog to stay. The handler will then walk forward, without looking back, to the end of the 6-foot leash and turn and face the dog. The leash must have a slight slack in it. The judge will approach the dog from the front and will only touch the dog’s head once and will move away.

The judge will then give the order “Return to Your Dog.” The handler may command and/or signal their dog to stay and then will walk counterclockwise around and behind the dog and will return to heel position. The handler remains in the heel position and the dog will remain in the standing or sitting position until the judge says, “Exercise finished.”

Scoring Stand or Sit for Examination.

Non-Qualifying.

- Handler changes the position from a stand to a sit or a sit to a stand after the initial position command is given
- Handler prevents or holds the dog from moving after giving the stay command
- Dog moves away from the judge or from the place it was left after the stay command, either before or during the exam
- Dog changes position before or during the exam
- Judge is unable to examine the dog
- Handler gives a second command to stay after having left the dog but before the judge has given the command to “return to your dog”

Major Deductions.

- Dog resists being placed in standing or sitting position
- Handler is unnecessarily rough when standing or sitting the dog
- Handler is not reasonably close to dog when giving the stay command and/or signal after leaving the dog
- Handler touches the dog while giving the stay command and/or signal
- Handler gives the dog more than one stay command prior to leaving the dog or upon returning to the dog after the exam
- Failure of handler to return to heel position by walking counterclockwise around and behind the dog

Major or Minor Deductions. Depending on the extent of the deviation from the ideal for any exercise, a major or minor deduction may be incurred. Deductions can occur for deviations not listed below at the discretion of the judge.

- Handler looks back when leaving
- Dog moves its feet after the stay command
- Dog changes position or moves a short distance after judge has examined it but before the order “Exercise Finished”
- Dog shows shyness or resentment before, during, or after the exam

Section 9. Down Stay / Walk Away. The primary purpose of this exercise is to have the dog remain in place as the handler performs the “T” pattern. The dog will remain on leash for this exercise. Leashes will be neatly placed on either side of the dog so as not to interfere with the dog or the handler’s return.

- **The judge’s orders for this exercise are:**
 - o Are you ready?
 - o Down your dog and leave when ready
 - o Exercise finished

Instructions. The handler will take the dog to the starting point on an imaginary line running down the center of the ring and midway between both ends of the ring, designated by the judge, and will prepare their dog for the exercise. The judge will ask the handler “Are you ready?” When the handler indicates they are ready, the judge will order the handler to “Down Your Dog and Leave When Ready.” The handler will then command and/or signal the dog to down. The handler may not physically down the dog but may take a reasonable amount of time to down the dog.

When the handler is ready to leave the dog, the handler must be standing but does not have to be in the heel position when giving the command and/or signal for the dog to stay. Judging begins when the stay command is given.

The handler will perform a “T” pattern after leaving the dog. The handler will walk straight away from the dog without looking back at a normal pace. They will continue walking until they reach the other side of the ring. The handler will then perform either a right or a left turn and continue walking until they reach the ring barrier, where they will do an about turn and continue walking until they reach the ring barrier on the opposite side of the ring.

They will perform another about turn and walk back to the center of the ring across from dog and do either a left or right turn and walk towards the dog. Without stopping, the handler may give the dog one stay command while continuing to walk counter-

clockwise around and behind the dog and will then return to heel position. The handler remains in the heel position and the dog will remain in the down position until the judge says, "Exercise finished."

Scoring the Down Stay / Walk Away.

Non-Qualifying.

- Handler gives the dog more than one stay command prior to leaving the dog
- Dog sits or stands up before the handler returns
- The dog crawls more than its body length from its position after the stay command

Major Deductions.

- Dog resists being placed in down position
- Handler is unnecessarily rough when downing the dog
- Handler gives a second command and/or signal to down
- Handler is not reasonably close to dog when giving the stay command and/or signal after leaving the dog
- Handler touches the dog while giving the stay command and/or signal
- Dog crawls more than a short distance from its place after the stay command
- Handler gives the dog more than one stay command upon returning to the dog
- Dog moves after handler returns to heel position
- Failure of handler to return to heel position by walking counterclockwise around and behind the dog

Major or Minor Deductions. Depending on the extent of the deviation from the ideal for any exercise, a major or minor deduction may be incurred. Deductions can occur for deviations not listed at the discretion of the judge.

Section 10. Recall Over High Jump. The primary purpose of this exercise is to demonstrate the dog's willingness to stay where placed and, when called, come to its handler immediately when there is an obstacle directly in its path. All dogs will use the minimum jump height for this exercise.

- **The judge's orders for this exercise are:**
 - o Are you ready?
 - o Leave your dog
 - o Call your dog
 - o Exercise Finished

There are no stewards required to be positioned on either side of the jump for this exercise. The jump will be placed on one of the long sides of the ring that is not used for the heeling pattern or the down stay/walk away exercise, allowing enough space from the ring barrier for the handler to walk by.

Instructions. The dog and handler are initially positioned on one side of the jump, at least 8 feet or more from the jump, with the dog sitting in heel position. The handler will remove the leash from the dog and hand it to the steward, who will take the leash and place it in a designated spot assigned by the judge away from the ring entrance. The leash will be placed in the same spot for each handler. The judge will ask the handler, "Are you ready?" When the handler indicates they are ready, judging will begin.

On the judge's order to "Leave Your Dog," the handler may give a command and/or signal for the dog to stay. The handler will then walk forward briskly around the jump. The dog is to remain sitting while the handler takes a position at least 8 feet from the other side of the jump, turns, and faces the dog. The handler will stand with their arms at their sides, waiting for the order or signal from the judge to "Call Your Dog." The handler will give the command and/or signal for the dog to come. The dog must return to the handler immediately by going over the jump and sit in the front position. Once the dog is in motion, the handler may use their hands to guide the dog into the front position.

The handler is allowed one extra command and/or signal if the dog does not come on the first command and/or signal. The handler may also give one piece of verbal praise or encouragement, or an extra command or signal, once the dog is in motion. It may be given before or after the jump, but not both. Once the dog has completed the sit in front of the handler, the judge says, "Exercise finished." The high jump may be constructed of any suitable material but must conform to the specifications found in the back of this rulebook under Diagrams.

Scoring the Recall Over High Jump.

Non-Qualifying.

- Handler gives a second command or signal to stay after leaving heel position
- Handler steps over the jump
- Dog moves from its position after the handler commands and/or signals the dog to stay
- Dog comes before the handler commands and/or signals the dog to come
- Failure of dog to come on the second command or signal
- Dog refuses to jump, uses the jump for assistance in going over, goes around the jump, or knocks it over

- Failure of dog to come to the handler
- Dog comes and sits but is more than arm's length away from the handler

Major Deductions.

- Handler is not 8 feet from either side of the jump
- Dog lies down or stands after commanded to stay
- Handler's hands are not at their side when they call the dog
- Dog hesitates before coming or comes too slowly
- Dog does not sit in front
- Handler gives more than the allowed commands and/or signals after dog had started the recall

Major or Minor Deductions. Depending on the extent of the deviation from the ideal for any exercise, a major or minor deduction may be incurred. Deductions can occur for deviations not listed below at the discretion of the judge.

- Failure of the dog to make a clean jump
- Dog has a slow or crooked sit in front position
- Dog touches the handler at any time
- Dog sits in front between the handler's feet

Section 11. Sit Stay. The primary purpose of this exercise is to have the dog remain in place as the handler retrieves the dog's leash and places the leash back onto the dog's collar. The judge will determine where the dog will be placed for this exercise.

Restrictions.

- The dog may not be set in front of the jump.
- The retrieval of leash may not be at the ring entrance and must be between 20 and 25 feet away from the dog.
- The distance shall be consistent for all exhibitors entered in this class.

The judge's orders for this exercise are:

- o Are you ready?
- o Sit your dog
- o Leave your dog
- o Exercise finished

Instructions. Upon the completion of the Recall Over High Jump, the handler will take their dog to the spot designated by the judge and place their dog in a sitting position, reasonably close and on their left. The judge will ask the handler "Are you ready?" When the handler indicates they are ready, judging will begin. The judge will order, "Leave Your Dog." The handler may then command and/or signal the dog to stay and will immediately walk over to the spot where the dog's leash is located and retrieve the leash.

The handler will then walk back to the dog, approaching from the front and without hesitation, automatically return to their dog by walking counterclockwise around the dog and back into heel position. The handler may give one reminder to stay to the dog upon their return approach without penalty. Once the handler is back in heel position and placed the leash on the dog, the judge will say, "Exercise finished." The handler and dog will then exit the ring.

Scoring the Sit Stay. Scoring of this exercise starts as soon as the handler indicates they are ready.

Non-Qualifying.

- Handler forces the dog into a sit position by pushing or pulling on the collar or treats a dog roughly
- Handler gives an extra command and/or signal to sit or stay after leaving the dog as they are walking away
- Dog does not remain sitting or moves a substantial distance from its position
- Handler gives more than one reminder to stay upon their return to the dog
- Dog barks continuously.
- Dog stands up or lies down at any time before the handler returns to the dog and before they have walked behind the dog on the return

Major Deductions.

- Handler gives dog an extra command to sit before leaving the dog
- Handler lightly touches the dog to get it into the sit position before leaving
- Dog moves a short distance from its position
- Failure of handler to walk counterclockwise around behind the dog when returning to heel position
- Dog lies down, crawls, stands up, or walks forward any time as the handler walks behind the dog to heel position but before the judge says, "Exercise Finished"
- Dog misbehaves while the handler is attaching the leash

Major or Minor Deductions. Depending on the extent of the deviation from the ideal for any exercise, a major or minor deduc-

tion may be incurred. Deductions can occur for deviations not listed below at the discretion of the judge.

- Dog makes minor movements out of position after the handler has returned to heel position but before the judge orders "Exercise Finished"

CHAPTER 13. NOVICE INTRODUCTION, EXERCISES, PERFORMANCE, AND SCORING

Section 1. Purpose of the Novice Class. The primary purpose of this class is to demonstrate the usefulness of the dog as a socialized companion that has been trained to a specific skill set that includes a sit stay during a simple greeting, a down stay with distractions, on and off-leash heeling, standing for a simple exam, and coming when called while going over a jump.

Section 2. General Requirements. When the dog is off leash between the exercises, the handler may gently lead or guide the dog to the next exercise location using the collar. Handlers may talk to their dogs or give extra commands between exercises. In all exercises except the Greeting and Stand for Examination, judging will begin when the handler indicates that they are ready. Judging for the Greeting and Stand for Examination will begin when the handler commands and/or signals the dog to stay. The handler must have a 6-foot leash for the Honor portion of this class.

Section 3. Novice Requirements. United Companion Dog Title (UCD). The United Companion Dog title must be earned from the A or B divisions of the Novice class or any combination of the two. The maximum score that may be earned in this class is 200 points. A minimum qualifying score will be 170 points and over 50 percent of each individual exercise. To earn this title, a dog must:

- Earn three qualifying scores at three different UKC licensed Obedience trials.
- There is no restriction on the number of qualifying scores that may be earned under the same judge.

Section 4. Novice Exercises and Maximum Points per Exercise.

Novice Point Scale	
Novice Exercises.	Exercise Maximum Points
<i>Greeting</i>	<i>30 points</i>
Honor	35 points
Heel on Leash and Figure 8	35 points
Stand for Exam	30 points
Heel Off Leash	35 points
<u>Recall over High Jump</u>	<u>35 points</u>
Total Points	200 points

Section 5. Greeting. The primary purpose of this exercise is to demonstrate the dog's ability to sit and remain in position while the handler greets another person. No penalty will be given to a handler who forgets what to say during the greeting.

Instructions. Prior to the start of the class, the judge will designate a location for the Greeting exercise, which will be the same location as the Honor exercise. The steward will direct the dog and handler to the location where the Greeting will take place. The greeting or working dog will enter the ring before the honor dog and perform the exercise prior to the honor dog entering the ring. The dog will remain on leash for this exercise. Leashes will be neatly placed on either side of the dog so as not to interfere with the dog or the handler upon their return.

Once the handler is at the location and indicates to the judge that they are ready, they may command and/or signal the dog to sit and then to stay. Judging will begin when the handler gives the stay command or leaves the dog. The handler will then proceed across the ring to the judge, who should be approximately 20 feet away. The handler may shake hands with the judge or be within 3 feet of the judge. The handler may turn sideways to greet the judge so they can still see the dog. The handler greets the judge by announcing their first name and the dog's call name (i.e. "Hello, my name is Victor, and this is my dog Sierra. The judge will then return the greeting by saying "Welcome to Obedience, good luck, you may return to your dog."

The handler returns to the dog by walking counterclockwise around behind the dog to return to heel position. The handler will not release the dog until the judge orders "Exercise Finished." The handler will then pick up the leash and will move to the place where the Heel on Leash exercise will begin as directed by the judge.

Scoring Greeting

Non-Qualifying.

- Handler forces the dog into the sit position or treats dog roughly
- Handler gives an extra command and/or signal to stay after leaving the dog
- Dog barks continuously
- Dog downs, stands, or leaves the sit position before the handler returns to heel position

Major Deductions.

- Handler gives a additional command and/or signal to sit, or lightly touches the dog to get it into the sit position before leaving

heel position

- Handler fails to walk counterclockwise around the dog when returning to heel position
- The dog downs, stands, or leaves the sit position any time as the handler returns to heel position but before the judge says "Exercise Finished"

Major or Minor Deductions. Depending on the extent of the deviation from the ideal for any exercise, a major or minor deduction may be incurred. Deductions can occur for deviations not listed below at the discretion of the judge.

- Dog downs, stands, or moves from the sit position after the handler returns to heel position but before the judge gives the order "Exercise Finished"
- Handler takes an excessive amount of time to begin the exercise

Section 6. Honor Exercise. The primary purpose of this exercise is to demonstrate the honoring dog's ability to remain in a down position while distracted by the presence of the working dog.

• **The Judge's orders for this exercise are:**

- o Are you ready?
- o Down your dog
- o Leave your dog
- o Return to your dog
- o Exercise finished

Instructions. The honor dog will enter the ring after the Greeting exercise has concluded. The judge or steward will direct the handler to the location where the Honor exercise shall take place, which will be the same location where the Greeting took place. The honoring dog will be placed close enough to the path of the working dog to expose the honoring dog to distractions from the working dog, yet not so close to the path of the working dog that it interferes with the working dog and handler or the judge. The honoring dog will sit or stand in heel position with a 6-foot leash remaining on the dog for this exercise. The judge will ask the handler, "Are you ready?" When the handler indicates they are ready, judging will begin.

The judge will give the handler the order to "Down" the dog. The handler may use a command and/or signal to down the dog. When the honoring dog is down, the judge will order the handler to "Leave Your Dog." The handler will leave their dog, go to the end of the leash without looking back at the dog, turn around and face the dog. There must be slack in the leash. The judge will then order the working dog and handler to begin the heeling exercise.

The honoring dog will remain in the down position until the working dog completes the Figure 8 exercise. The judge will then order the handler of the honoring dog to "Return to Your Dog." When the handler returns to the honoring dog, they must walk counterclockwise around and behind the dog to return to heel position. The handler will not release the honoring dog until the judge says, "Exercise Finished." Upon completion of the honoring exercise, the handler will be released from the ring. A steward may assist the judge as needed in watching the honoring dog.

Scoring the Honor Exercise

Non-Qualifying.

- Dog refuses to respond to more than two commands and/or signals to down
- Handler forces the dog into the down position or treats a dog roughly
- Handler gives an extra command and/or signal to stay after leaving the dog
- Dog barks continuously
- Dog sits, stands, crawls, or leaves the down position before the handler returns to heel position

Major Deductions.

- Handler gives a second command and/or signal to down
- Handler lightly touches the dog to get it into the down position before leaving heel position
- Dog moves a short distance (less than half its body length)
- Handler fails to walk counterclockwise around the dog when returning to heel position
- Dog sits, stands, crawls, or leaves the down position any time as the handler returns to heel position but before the judge says, "Exercise Finished."
- Handler/dog distracts the working dog

Major or Minor Deductions. Depending on the extent of the deviation from the ideal for any exercise, a major or minor deduction may be incurred. Deductions can occur for deviations not listed below at the discretion of the judge.

- The dog sits, stands, or moves from the down position after the handler returns to heel position but before the judge gives the order, "Exercise Finished."

Section 7. Heel on Leash and Figure 8. The primary purpose of these two exercises is to demonstrate the ability of the dog and handler to walk together as a team and the ability of the dog to stay in heel position.

- **The judge's orders for this exercise are:**

- o Are you ready?
- o Forward
- o Halt
- o Left Turn
- o Right Turn
- o Slow
- o Fast
- o Normal
- o About Turn
- o Exercise Finished

The orders can be given in any sequence and repeated at the discretion of the judge. The judge must have the same sequence, pattern, and routine for all exhibitors, except under unusual circumstances, such as a section of the ring becoming unusable due to weather. The Fast and Slow portions of the heeling exercise must be followed by a Normal order before any other order may be given.

Instructions. The judge or steward will direct the handler to the location where the Heel on Leash exercise will begin. The working dog and handler should be positioned so that their path does not cross between the honoring dog and handler. The handler then places the dog sitting in heel position. The judge asks the handler if they have any questions. If there are no questions, the judge will ask the handler "Are you ready?"

Judging will begin when the handler indicates they are ready. The judge will then order "Forward." The handler may give a command and/or signal instructing the dog to heel. The normal forward motion of the handler's body is a valid signal to the dog to heel, so a judge may not penalize a handler for failing to give a verbal command to heel. The handler will move at a normal pace with a smooth, natural gait.

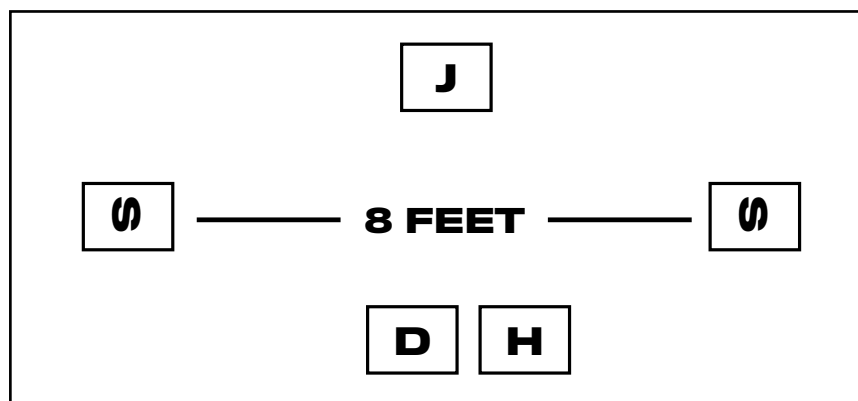
Each time the order "Halt" is given, the handler will stop, and the dog will automatically stop and sit promptly in heel position. This is to be done without any command or signal from the handler to the dog. The dog shall remain sitting in heel position until the judge gives the next order to the handler. When the judge gives the "About Turn" order, the handler shall turn to the right so the dog will have to travel the greater distance. The "Fast" order means the handler approximately doubles their normal pace. The "Slow" order means the handler slows their normal pace by approximately one-half.

Figure 8 Exercise.

- **The judge's orders for this exercise are:**

- o Are you ready?
- o Forward
- o Halt
- o Exercise finished

This exercise is performed on leash. The dog should do at least one complete Figure 8 before a "Halt" is given. Each team should do the same routine. For this exercise, two stewards stand approximately 8 feet apart, facing each other with their arms crossed in front of them. The judge stands midway between the stewards, and some distance back from an imaginary line drawn between the two stewards, facing the exhibitor who stands in the opposite position with the dog sitting in Heel position.



Instructions: The judge will ask if the handler is ready before starting the Figure 8 routine. The Figure 8 exercise is done on leash. The judge gives the order "Forward", and the handler may command and/or signal the dog to heel and then move forward between the stewards.

The handler may choose to go counterclockwise around the steward on the left, or clockwise around the steward on the right. Whichever direction is chosen, the pattern must be continued once it has been established. The handler must move at a normal pace with a smooth, natural gait. The dog must remain in the heel position. The dog and handler will complete the Figure 8 twice with one halt during the exercise and a halt at the end followed by the judge's order "Exercise Finished."

Scoring Heel on Leash and Figure 8.

Non-Qualifying.

- Handler gives the dog constant or repeated extra commands and/or signals
- Handler constantly controlling dog with a tight leash
- Handler continually adapting to the dog's pace

Major Deductions.

- Handler moves forward first and then gives a command and/or signal to heel
- Failure of dog to sit at the halt
- Handler gives extra commands or verbal praise during either the heeling or figure 8 exercises.
- Failure of dog or handler to change pace at the judge's order during the heeling part of the exercise
- *Dog or handler interferes with the honoring dog*

Major or Minor Deductions. *Depending on the extent of the deviation from the ideal for any exercise, a major or minor deduction may be incurred. Deductions can occur for deviations not listed below at the discretion of the judge.*

- Tight leash
- Dog out of heel position before it is given a command and/or signal from the handler
- Dog anticipating command and/or signal
- Dog crowding the handler, forging, heeling wide, heeling in improper position, lagging, poor sit, poor finish, sniffing, and any additional heeling imperfection

Section 8. Stand for Examination. The primary purpose of this exercise is to demonstrate the dog's ability to stand in place and allow a stranger to examine it without showing resentment or shyness.

• The judge's orders for this exercise are:

- o Are you ready?
- o Stand your dog and leave when ready
- o Return to your dog
- o Exercise finished

Instructions. The handler will remove the dog's leash and hand it to a steward. The handler will take the dog to the location designated by the judge. The judge will ask the handler "Are you ready?" When the handler indicates they are ready, the judge will order the handler to "Stand Your Dog and Leave When Ready." The handler will then stand the dog using any method. The handler may physically set the dog up, provided it is done gently. A reasonable amount of time may be taken to stand the dog. When the handler is ready to leave the dog, the handler must be in the heel position when giving the command and/or signal for the dog to stay. The handler's hands must remain off the dog when giving the stay command and/or signal.

Judging begins when the stay command is given. The handler will leave the dog, walk approximately 6 feet in front of the dog, turn, and face the dog. The judge then approaches the dog from the front, touches the dog's head, back, and hindquarters and moves away. The judge gives the order "Return to Your Dog." The handler walks counterclockwise around and behind the dog and goes to heel position. The handler remains in the heel position and the dog remains standing until the judge says, "Exercise Finished."

Scoring Stand for Examination. Judging begins as soon as the handler gives the stay command. Deductions shall be assessed for rough treatment in setting up the dog.

Non-Qualifying.

- Handler gives an extra command to stay after leaving the dog
- Handler holds the dog from moving after giving the stay command
- Judge is unable to examine the dog
- Dog moves away from the judge or out of position after the stay command, either before or during the exam
- Dog sits or lies down before or during the exam

Major Deductions.

- Dog resists being placed in standing position
- Handler is unnecessarily rough when standing the dog
- Handler not in heel position when giving the stay command or signal
- Handler touches the dog while giving the stay command or signal
- Failure of handler to return to heel position by walking counterclockwise around and behind the dog

Major or Minor Deductions. *Depending on the extent of the deviation from the ideal for any exercise, a major or minor deduction may be incurred. Deductions can occur for deviations not listed below at the discretion of the judge.*

- Dog moves its feet after the stay command
- Dog sits after judge has examined it but before the order “Exercise Finished”
- Dog moves a short distance after the stay command is given and before the order “Exercise Finished”
- Dog shows shyness or resentment before, during, or after the exam

Section 9. Heel Off Leash. The primary purpose of this exercise is to demonstrate the capability of the dog and handler to work as a team and the ability of the dog to stay in the heel position while off leash.

Instructions. Judge’s orders, instructions, and scoring for this exercise are the same as for the Heel on Leash except the dog is worked without a leash and the Figure 8 exercise is omitted. The following additional deductions shall be imposed:

Additional Non-Qualifying.

- Dog leaves the handler’s side and cannot regain its composure and resume heeling

Additional Major or Minor Deduction. Depending on the extent of the deviation from the ideal for any exercise, a major or minor deduction may be incurred. Deductions can occur for deviations not listed below at the discretion of the judge.

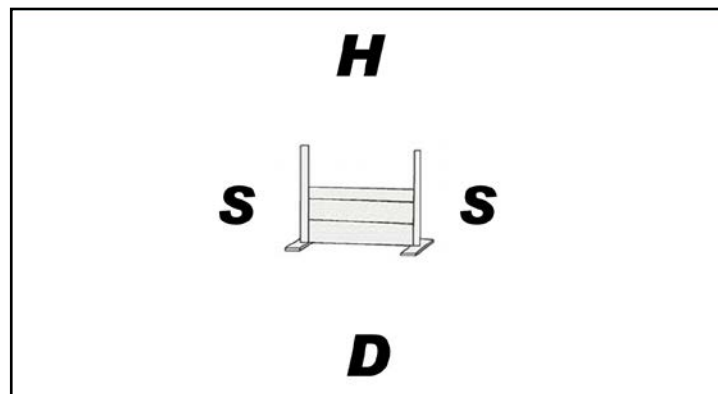
- Dog leaves the handler’s side but quickly returns to heel position

Section 10. Recall Over High Jump. The primary purpose of this exercise is to demonstrate the dog’s willingness to stay where placed and come to its handler when there is an obstacle directly in its path.

• **The judge’s orders for this exercise are:**

- o Are you ready?
- o Leave your dog
- o Call your dog
- o Finish
- o Exercise finished

Two stewards will stand on either side of the jump facing each other with the jump between them. The stewards’ feet should be approximately two feet from the base of the jump uprights and in a direct line with the jump. The stewards will have their arms crossed in front of them.



Instructions. The dog and handler are initially positioned on one side of the jump, at least 8 feet or more from the jump, with the dog sitting in the heel position. The judge will ask the handler, “Are you ready?” When the handler indicates they are ready, judging will begin. On the judge’s order to “Leave Your Dog,” the handler may give a command and/or signal for the dog to stay. The handler will then walk forward briskly around the jump. The dog remains sitting while the handler takes a position on the other side of the jump at least 8 feet from the jump and facing the dog. The handler stands with their arms at their sides, waiting for the order from the judge to “Call Your Dog.”

The handler gives the command and/or signal for the dog to come. If the dog does not come on the first command and/or signal, the handler may give another command and/or signal to come but will receive a mandatory 10-point deduction. The dog must return to the handler immediately by going over the jump and must sit in the front position. The judge will order the handler to “Finish”. The handler will command and/or signal the dog to go to the heel position and sit. The high jump may be constructed of any suitable material but must conform to the specifications found in the back of this rulebook under Diagrams.

Scoring the Recall Over High Jump.

Non-Qualifying.

- Handler gives extra command or signal to stay after leaving heel position
- Handler steps over the jump
- Dog moves from the place where it was left after the handler commands or signals the dog to stay
- Dog comes before the handler commands or signals the dog to come
- Failure of dog to come after the second command or signal

- Handler gives an additional command and/or signal to come after dog is already in motion
- Dog refuses to jump, uses the jump for assistance in going over, goes around the jump, or knocks it over
- Failure of dog to come directly to the handler after the jump
- Dog sits more than arm's length away from the handler

Mandatory 10-Point Deduction.

- Handler gives second command and/or signal to come

Major Deductions.

- Handler is not 8 feet from either side of the jump
- Dog lies down or stands after it is told to stay
- Handler's hands are not at their side when they call the dog
- Dog hesitates before coming or comes too slowly
- Dog does not sit in front after coming to the handler
- Dog anticipates the finish command or signal
- Handler gives extra command and/or signal to finish
- Failure of dog to return to heel position for the finish
- Dog does not sit in heel position at the finish
- Handler walks between the jump and a steward

Minor Deductions.

- Dog does not return briskly to the front position
- Slow or crooked sit in front or heel position
- Dog does not return to heel position immediately once the command to finish is given
- Dog touches the handler at any time
- Dog sits in front between the handler's feet

Major or Minor Deductions. Depending on the extent of the deviation from the ideal for any exercise, a major or minor deduction may be incurred. Deductions can occur for deviations not listed below at the discretion of the judge.

- Failure of the dog to make a clean jump

CHAPTER 14. ADVANCED NOVICE INTRODUCTION, EXERCISES, PERFORMANCE, AND SCORING

Section 1. Purpose of the Advanced Novice Class. The primary purpose of this class is to provide a bridge between the Novice and Open class and to demonstrate an advanced usefulness of the dog as a socialized companion that has been trained to a specific skill set that includes a sit stay during a simple greeting, a down stay with distractions, off leash heeling, a down while walking, recall over a jump carrying a dumbbell, and a recall over a broad jump.

Section 2. Additional Titling Class. Exhibitors do not have to enter any other classes or earn any Obedience titles as a prerequisite. As an additional titling class, dogs entered in this class may also enter any other licensed Obedience class at the same trial. Dogs entered in the Advanced Novice class will not be eligible for High in Trial or All Stars points.

Section 3. General Requirements. When the dog is off leash between the exercises, the handler may gently lead or guide the dog to the next exercise location using the collar. Handlers may talk to their dogs or give extra commands between exercises. In all exercises except the Greeting, judging will begin when the handler indicates that they are ready. Judging for the Greeting will begin when the handler commands and/or signals the dog to stay. The handler must have a 6-foot leash for the Honor portion of this class.

Section 4. Advanced Novice Requirements. Advanced Companion Dog Title (ACD). The Advanced Companion Dog title must be earned from the Advanced Novice class. There are no divisions in the Advanced Novice class. The maximum score that may be earned in this class is 200 points. A minimum qualifying score will be 170 points and over 50 percent of each individual exercise. To earn this title, a dog must:

- Earn three qualifying scores at three different UKC licensed Obedience trials.
- There is no restriction on the number of qualifying scores that may be earned under the same judge.

Section 5. Advanced Novice Exercises and Maximum Points per Exercise.

Advanced Novice Point Scale

Advanced Novice Exercises.	Exercise Maximum Points
Greeting	30 points
Honor	35 points
Heel off Leash and Figure 8	35 points
Moving Down with Recall	35 points
Recall Over Jump with dumbbell	35 points
<u>Recall over Broad Jump</u>	<u>30 points</u>
Total Points	200 points

Section 6. Greeting. The primary purpose of this exercise is to demonstrate the dog's ability to sit and remain in position while the handler greets another person. No penalty will be given to a handler who forgets what to say during the greeting.

Instructions. *Prior to the start of the class, the judge will designate a location for the Greeting exercise, which will be the same location as the Honor exercise.* The steward will direct the dog and handler to the location where the Greeting will take place. The greeting or working dog will enter the ring before the honor dog and perform the exercise prior to the honor dog entering the ring. The dog will remain on leash for this exercise. The leash will be neatly placed on either side of the dog so as not to interfere with the dog or the handler upon their return. **Once the handler is at the location and indicates to the judge that they are ready, they may command and/or signal the dog to sit and then to stay.** Judging will begin when the handler gives the stay command or leaves the dog.

The handler will then proceed across the ring to the judge, who should be approximately 20 feet away. The handler may shake hands with the judge or be within 3 feet of the judge. The handler may turn sideways to greet the judge so they can still see the dog. The handler greets the judge by announcing their first name, the dog's call name, and if the dog is jumping Standard or Minimum height (i.e. "Hello, my name is Mike, and this is my dog Echo. He is jumping Minimum height today for the High and Broad jumps"). The judge will then return the greeting by saying "Welcome to Advanced Obedience, good luck, you may return to your dog."

The handler returns to the dog by walking counterclockwise around behind the dog to return to heel position. The handler will not release the dog until the judge orders "Exercise Finished." The handler will then pick up the leash and will move to the place where the Heel on Leash exercise will begin as directed by the judge.

Scoring Greeting

Non-Qualifying.

- Handler forces the dog into the sit position or treats dog roughly
- Handler gives an extra command and/or signal to stay after leaving the dog
- Dog barks or whines continuously
- Dog downs, stands, or leaves the sit position before the handler returns to heel position

Major Deductions.

- Handler gives a additional command and/or signal to sit, or lightly touches the dog to get it into the sit position before leaving heel position
- Handler fails to walk counterclockwise around the dog when returning to heel position
- The dog downs, stands, or leaves the sit position any time as the handler returns to heel position but before the judge says, "Exercise Finished"

Major or Minor Deductions. Depending on the extent of the deviation from the ideal for any exercise, a major or minor deduction may be incurred. Deductions can occur for deviations not listed below at the discretion of the judge.

- Dog downs, stands, or moves from the sit position after the handler returns to heel position but before the judge gives the order "Exercise Finished"
- Handler takes an excessive amount of time to begin the exercise

Section 7. Honor Exercise. The primary purpose of this exercise is to demonstrate the honoring dog's ability to remain in a down position while distracted by the presence of the working dog.

• The Judge's orders for this exercise are:

- o Are you ready?
- o Down your dog
- o Leave your dog
- o Return to your dog
- o Exercised Finished

Instructions. The honor dog will enter the ring after the Greeting exercise has concluded. The judge or steward will direct the handler to the location where the Honor exercise shall take place, which will be the same location where the Greeting took place.

The honoring dog will be placed close enough to the path of the working dog to expose the honoring dog to distractions from the working dog, yet not so close to the path of the working dog that it interferes with the working dog and handler or the judge.

The honoring dog will sit or stand in heel position with a six-foot leash remaining on the dog for this exercise. The judge will ask the handler if they have any questions. If there are no questions, the judge will ask the handler, "Are you ready?" When the handler indicates they are ready, judging will begin.

The judge will give the handler the order to "Down" the dog. The handler may use a command and/or signal to down the dog. When the honoring dog is down, the judge will order the handler to "Leave Your Dog." The handler will leave their dog and go to the end of the leash without looking back at the dog, turn around and face the dog. There must be slack in the leash. The judge will then order the working dog and handler to begin the heeling exercise. The honoring dog will remain in the down position until the working dog completes the Figure 8 exercise.

The judge will then order the handler of the honoring dog to "Return to Your Dog." When the handler returns to the honoring dog, they must walk counterclockwise around and behind the dog to return to heel position. The handler will not release the honoring dog until the judge says, "Exercise Finished." Upon completion of the honoring exercise, the handler will be released from the ring. A steward may assist the judge as needed in watching the honoring dog.

Scoring the Honor Exercise

Non-Qualifying.

- Handler forces the dog into the down position or treats a dog roughly
- Handler gives an extra command and/or signal to stay after leaving the dog
- Dog barks or whines continuously
- Dog sits, stands, crawls, or leaves the down position before the handler returns to heel position

Additional Major Deductions.

- Handler gives additional command and/or signal to down
- Handler lightly touches the dog to get it into the down position before leaving heel position
- Dog moves a short distance (less than half its body length)
- Handler fails to walk counterclockwise around the dog when returning to heel position
- Dog sits, stands, crawls, or leaves the down position any time as the handler returns to heel position but before the judge says, "Exercise Finished"
- Handler and/or dog distracts the working dog

Major or Minor Deductions. Depending on the extent of the deviation from the ideal for any exercise, a major or minor deduction may be incurred. Deductions can occur for deviations not listed below at the discretion of the judge.

- The dog sits, stands, or moves from the down position after the handler returns to heel position but before the judge gives the order, "Exercise Finished"

Section 8. Heel Off Leash and Figure 8. The primary purpose of these two exercises are to demonstrate the ability of the dog and handler to work smoothly as a team and the ability of the dog to stay in heel position while off leash.

Instructions. The handler will remove the leash and hand it to the steward. Judge's orders and instructions for both the Heel Off Leash and Figure 8 exercises are the same as those in the Novice Heel on Leash exercise, except that the exercise is performed with the dog off leash and a penalty will occur for any extra commands and/or signals to heel.

Scoring Heel Off Leash and Figure 8. Scoring for this exercise is the same as the Novice Heel on Leash and Figure 8 exercises.

Additional Non-Qualifying.

- Dog leaves the handler's side and cannot regain its composure and resume heeling

Additional Major or Minor Deduction. Depending on the extent of the deviation from the ideal for any exercise, a major or minor deduction may be incurred. Deductions can occur for deviations not listed below at the discretion of the judge.

- Dog leaves the handler's side but quickly returns to heel position

Section 9. Moving Down with Recall. The primary purpose of this exercise is to demonstrate the dog's ability to respond to the handler's first command and/or signal to drop to a down position while moving, to remain in the down position, and to come directly and immediately to the handler and sit in front when called. After the dog is sitting in the front position, the judge will order the handler to "Finish" and the handler will then command and/or signal the dog to return to the heel position.

• The judge's orders for this exercise are:

- o Are you ready?
- o Forward
- o Down your dog
- o Call
- o Finish
- o Exercise finished

Instructions. The handler and dog move to a place designated by the judge on the long side of the ring. The handler then stands

with the dog sitting in heel position. The judge will ask the handler “Are you ready?” Judging will begin after the handler indicates they are ready. The judge will then order “Forward.” The handler may give a command and/or signal instructing the dog to heel. The normal forward motion of the handler’s body is a valid signal to the dog to heel, so a judge may not penalize a handler for failing to give a verbal command to heel. The handler will move at a normal pace with a smooth, natural gait.

Midway across the ring, the judge will order the handler to “Down Your Dog”. Without stopping or breaking heel position, the handler will give a command and/or signal to down. The dog should stop forward motion and go directly into a down position while the handler continues to move forward to a location designated by the judge at the opposite side of the ring, and then turns and faces the dog.

When the judge orders or signals the handler to “Call Your Dog,” the handler will stand naturally and give the command and/or signal for the dog to come. If the dog does not come on the first command and/or signal, the handler may give another command and/or signal to come but will receive a mandatory 10-point deduction. The dog must come immediately and sit in front. The judge will order or signal the handler to “Finish.” The handler will give the command and/or signal to the dog to return to the heel position.

Scoring the Moving Down with Recall Exercise. Scoring for this exercise is the same as the Novice Recall exercise except that there are no deductions related to the jump.

Additional Non-Qualifying.

- Dog anticipates down command
- Handler gives extra command to down
- Handler stops forward motion to give the down command
- Handler gives the down command before ordered by the judge
- Handler gives command and/or signal to down, but dog travels a substantial distance before downing
- Dog breaks down position before they are called by the handler
- Dog comes before the handler commands and/or signals the dog to come
- Failure of dog to come after the second command or signal
- Handler gives an additional command and/or signal to come after the dog is in motion
- Dog sits more than arm’s length away from the handler

Mandatory 10-Point Deduction.

- Handler gives second command and/or signal to come

Additional Major Deductions.

- Dog downs slowly on command or travels a short distance before downing
- Handler’s hands are not at their side when they call the dog

Major or Minor Deductions. Depending on the extent of the deviation from the ideal for any exercise, a major or minor deduction may be incurred. Deductions can occur for deviations not listed below at the discretion of the judge.

Section 10. Recall Over High Jump with Dumbbell. The primary purpose of this exercise is to demonstrate the dog’s willingness to stay where placed and come to its handler when there is an obstacle directly in its path while carrying a dumbbell.

- **The judge’s orders for this exercise are:**
 - o Are you ready?
 - o Give your dog the dumbbell
 - o Leave your dog
 - o Call your dog
 - o Take it
 - o Finish
 - o Exercise finished

Instructions. No stewards will be standing on either side of the jump. The dog and handler are initially positioned on one side of the jump, at least 8 feet or more from the jump, with the dog sitting in the heel position. The judge will ask the handler, “Are you ready?” When the handler indicates they are ready, judging will begin. On the judge’s order to “Give Your Dog the Dumbbell,” the handler will present the dumbbell to the dog and command and/or signal the dog to take the dumbbell. The dog must accept, take, and hold the dumbbell without resistance. The handler may give a second command and/or signal to the dog to take and/or to hold the dumbbell but will receive a mandatory 10-point deduction.

The judge will then order the handler to “Leave Your Dog.” The handler may give a command and/or signal for the dog to stay. The handler will then walk forward briskly around the jump. The dog remains sitting, while holding the dumbbell while the handler takes a position on the other side of the jump at least 8 feet from the jump and facing the dog. The handler stands with their arms at their sides, waiting for the order from the judge to “Call Your Dog.” The handler gives the command and/or signal for the dog to come. If the dog does not come on the first command and/or signal, the handler may give another command and/or signal to come but will receive a mandatory 10-point deduction.

The dog must return to the handler immediately by going over the jump and must sit in the front position. The judge will order the handler “Take It.” The handler will give the command and/or signal to release the dumbbell. When the dog has

released the dumbbell, the judge will give the order to “Finish”. The handler will command and/or signal the dog to go to the heel position and sit. The dumbbell must conform to the requirements in Chapter 2, Section 5 of this rulebook. The high jump may be constructed of any suitable material but must conform to the specifications found in the back of this rulebook under Diagrams.

Scoring the Recall Over High Jump with Dumbbell. Scoring for this exercise is the same as the scoring of the Novice Recall Over the High Jump exercise.

Additional Non-Qualifying.

- Dog fails to take the dumbbell on the second command and/or signal
- Dog fails to come after the second command and/or signal
- Dog does not return to the handler
- Dog does not return with the dumbbell
- Dog refuses to release the dumbbell to handler

Mandatory 10-Point Deduction.

- Handler gives a second command and/or signal to take or hold the dumbbell
- Handler gives second command and/or signal to come

Major or Minor Deductions. Depending on the extent of the deviation from the ideal for any exercise, a major or minor deduction may be incurred. Deductions can occur for deviations not listed below at the discretion of the judge.

- Dog is slow to respond
- Dog drops, plays with, or mouths the dumbbell
- Dog is reluctant to release the dumbbell to the handler
- Failure of the dog to return directly to the handler shall be assessed a major or minor deduction depending on the degree of deviation from the most direct route

Section 11. Recall over the Broad Jump. The primary purpose of this exercise is to demonstrate the dog’s willingness to sit, stay where placed, jump a broad jump when directed, come to its handler immediately in the front position and go to heel on command.

• **The judge’s orders for this exercise are:**

- o Are you ready?
- o Leave your dog
- o Call your dog
- o Finish
- o Exercise finished

Instructions. When the exercise begins the handler and dog will be no closer than eight feet from and facing the lowest board of the broad jump. The judge will ask the handler “Are You Ready?” Judging will begin once the handler indicates that they are ready. When the judge gives the order “Leave Your Dog,” the handler may give a command and/or signal for the dog to stay. The handler will then walk forward briskly past the broad jump. The dog remains sitting where left by the handler while the handler takes a position on the other side of the broad jump at least 8 feet from the jump and facing the dog. The handler stands with their arms at their sides, waiting for the order from the judge to “Call Your Dog.”

The handler gives the command and/or signal for the dog to come. If the dog does not come on the first command and/or signal, the handler may give another command and/or signal to come but will receive a mandatory 10-point deduction. The dog must return to the handler immediately by going over the broad jump and must sit in the front position. The judge will order the handler to “Finish”. The handler will command and/or signal the dog to go to the heel position and sit. The broad jump may be constructed of any suitable material but must conform to the specifications found in the back of this rulebook under Diagrams.

Scoring the Recall Over the Broad Jump Exercise. Scoring for this exercise is the same as the Advanced Novice Recall over the High Jump exercise except that there are no deductions related to the dumbbell.

Additional Non-Qualifying.

- Dog does not stay until it is given the command and/or signal to jump
- Dog does not come on the second command and/or signal
- Dog does not clear the entire distance of the jump with its front or rear legs
- Dog’s legs walk through any part of the jump
- Dog jumps the broad jump but fails to return to the handler

Mandatory 10-Point Deduction.

- Handler gives second command and/or signal to come

Additional Major Deductions.

- Dog lightly touches or ticks the last board with its front or back feet
- Handler is not at least 8 feet from the broad jump on either end

Major or Minor Deductions. Depending on the extent of the deviation from the ideal for any exercise, a major or minor deduction may be incurred. Deductions can occur for deviations not listed below at the discretion of the judge.

- Dog jumps the broad jump but does not come directly to the handler and sit in front

CHAPTER 15. OPEN INTRODUCTION, EXERCISES, PERFORMANCE, AND SCORING

Section 1. Purpose of the Open Class. The primary purpose of this class is to demonstrate the usefulness of the dog as a socialized companion that has been trained to a more advanced and specific skill set that includes a sit stay during a greeting, off leash heeling, drop on recall, retrieving a dumbbell both on the flat and over a jump, jumping long and socialized walking.

Section 2. General Requirements. Dogs must enter and leave the ring on leash. The handler may not guide the dog by its collar or its body during or between the Open exercises. A major deduction will be imposed for each infraction of this rule. Handlers may talk to their dogs or give extra commands between exercises. In all exercises, judging will begin when the handler indicates that they are ready.

Section 3. Open Requirements. United Companion Dog Title (UCDX). The United Companion Dog Excellent title must be earned from the A or B divisions of the Open class or any combination of the two. The maximum score that may be earned in this class is 200 points. A minimum qualifying score will be 170 points and over 50 percent of each individual exercise. To earn this title, a dog must:

- Earn three qualifying scores at three different UKC licensed Obedience trials
- There is no restriction on the number of qualifying scores that may be earned under the same judge

Section 4. Open Exercises and Maximum Points per Exercise.

Open Point Scale

Open Exercises.

Exercise Maximum Points

Greeting

20 points

Heel Off Leash and Figure 8

40 points

Drop on Recall

30 points

Retrieve on Flat

30 points

Retrieve Over High Jump

30 points

Broad Jump

20 points

Socialized Heeling

30 points

Total Points

200 points

Section 5. Greeting. The primary purpose of this exercise is to demonstrate the dog's ability to sit and remain in position with the handler facing away from the dog while the handler greets another person. No penalty will be given to a handler who forgets what to say during the greeting.

Instructions. Prior to the start of the class, the judge will designate a location for the Greeting exercise. The judge or steward will direct the dog and handler to the designated location. The dog will remain on leash for this exercise. Leashes will be neatly placed on either side of the dog so as not to interfere with the dog or handler. **Once the handler is at the location and indicates to the judge that they are ready, they may command and/or signal the dog to sit and then to stay.** Judging will begin when the handler gives the stay command or leaves the dog.

The handler will then proceed across the ring to the judge which should be approximately 30 feet away. The handler will remain facing the judge with their back to the dog within 3 feet of the judge. The handler greets the judge by either shaking their hand, and/or announcing their first name, the dog's call name, if the dog is jumping Standard or Minimum height, and the heights they will jump (i.e. "Hello, my name is Charlie and this is my dog Tango. He is jumping Standard height today with 18" for the High jump and 36" with 3 boards for the Broad jump."). The judge will then return the greeting by saying "Welcome to Open, good luck, you may return to your dog."

The handler returns to the dog by walking counterclockwise around behind the dog to return to heel position. The handler will not release the dog until the judge says, "Exercise Finished." The handler will then pick up the leash and will move to the place where the Heel off Leash exercise will begin as directed by the judge.

Scoring Greeting

Non-Qualifying.

- Handler forces the dog into the sit position or treats a dog roughly.
- Handler gives an extra command and/or signal to stay after leaving the dog

- Dog barks or whines continuously
- The dog downs, stands, crawls, or leaves the sit position before the handler returns to heel position

Major Deductions.

- Handler gives additional command and/or signal to sit, or lightly touches the dog to get it into the sit position before leaving heel position
- Handler turns and faces the dog or looks back over their shoulder before ordered by the judge to return to their dog during the greeting exercise
- Handler fails to walk counterclockwise around the dog when returning to heel position
- Dog downs, stands, crawls, or leaves the sit position any time as the handler returns to heel position but before the judge says, "Exercise Finished."

Major or Minor Deductions. Depending on the extent of the deviation from the ideal for any exercise, a major or minor deduction may be incurred. Deductions can occur for deviations not listed below at the discretion of the judge.

- Dog downs, stands, or moves from the sit position after the handler returns to heel position but before the judge gives the order, "Exercise Finished."
- Handler takes an excessive amount of time to begin the exercise

Section 6. Heel Off Leash and Figure 8. The primary purpose of these two exercises are to demonstrate the ability of the dog and handler to work smoothly as a team and the ability of the dog to stay in heel position while off leash.

The judge's orders for this exercise are identical to those given in the Novice Heel on Leash and Figure 8 exercise. During the heel off leash portion of this exercise, a steward shall be used as a distraction.

Walking Steward Distraction. The purpose of this distraction is to simulate the real-life situation of walking a dog on a street or public sidewalk and encountering a stranger. The steward will walk the pattern called by the judge for the working dog and handler, except in reverse and on the inside of the pattern walked by the working dog so that the walking steward will meet the oncoming working dog and handler. The steward must walk at a normal pace ignoring the orders given to the handler to halt or change pace. The steward will make about turns at each end of the ring so that the steward will meet the working dog and handler twice during the Heel off Leash exercise. There is no walking steward used during the Figure 8 exercise.

Instructions. Instructions for this exercise are the same as the Heel on Leash exercise in the Novice class, except that the exercise is performed with the dog off leash and no additional heeling commands and/or signals will be allowed without penalty.

Figure 8 exercise. The judge's orders for this exercise are identical to those given in the Novice Figure 8 exercise.

Instructions. Instructions for this exercise are the same as the Figure 8 exercise in the Novice class, except that the exercise is performed with the dog off leash and no additional heeling commands and/or signals will be allowed without penalty.

Scoring Heel Off Leash and Figure 8. Scoring for the Open class Heel off Leash and Figure 8 exercises are the same as the scoring of the Heel on Leash and Figure 8 exercises and heel off leash in the Novice class.

Section 7. Drop on Recall. The primary purpose of this exercise is to demonstrate the dog's ability to respond to the handler's first command and/or signal to come, to drop to a down position, to remain in the down position when approached by the walking steward, and to come directly and immediately to the handler and sit in front. After the dog is sitting in the front position, the judge will order the handler to "Finish" and the handler will then command and/or signal the dog to return to the heel position.

- **The judge's orders for this exercise are:**
 - o Are you ready?
 - o Leave your dog
 - o Call your dog
 - o Drop
 - o Call
 - o Finish
 - o Exercise finished

The Walking Steward. A walking steward will be used during the drop portion of this exercise to provide the distraction of a stranger approaching while the dog is in a submissive position. At the beginning of this exercise, the walking steward will stand facing the working dog and handler from the opposite side of the ring. Once the judge has ordered the handler to "Leave Your Dog," the handler will walk to the opposite side of the ring, stand in the area designated by the judge, and turn to face the dog.

The steward should stand about 3 to 5 feet from the handler's side closest to the inside of the ring, and in a position so as not to interfere with the handler's commands and/or signals to the dog. Once the handler has given the "Drop" command and/or signal and the dog is in the down position, the judge will order or signal the steward to begin walking in a straight line past the dog. The steward should walk at a normal pace and must not look at or give any signals or verbal commands to the dog. The steward will walk past the dog without blocking the handler's view of the dog.

Once the steward has passed the dog, the steward will continue walking in same direction until they reach the line where the dog was left sitting at the beginning of the exercise, or as directed by the judge.

Instructions. The handler and dog move to a place designated by the judge. The handler then stands with the dog sitting in heel position. The judge will ask the handler "Are you ready?" Judging will begin after the handler indicates they are

ready. On order from the judge to “Leave Your Dog,” the handler gives the command and/or signal to stay. The handler then walks directly away from the dog **approximately 40** feet to a location designated by the judge, turns, and faces the dog. The judge should be positioned behind the dog to give the orders “Call Your Dog,” “Drop,” and “Call” unless the layout of the ring makes it impossible.

When the judge orders or signals the handler to “Call Your Dog,” the handler will stand naturally and give the command and/or signal for the dog to “Come.” The dog must come on the first command and/or signal at a quick pace and with no hesitation. The judge will signal the handler to “Drop” the dog. The handler will give the command and/or signal for the dog to “Drop.” The dog must go to the down position immediately and remain in the down position while the walking steward approaches and walks past the dog.

When the judge gives the order and/or signal to “Call”, the handler will use a command and/or signal to call the dog to the front position. The dog must come immediately and sit in front. The judge will order or signal the handler to “Finish.” The handler will give the command and/or signal to the dog to return to the heel position.

Scoring the Drop on Recall. Scoring for the Open class Drop on Recall exercise is the same as the scoring of the Recall exercise in the Novice class except that there are no deductions related to the jump.

Additional Non-Qualifying.

- Dog anticipates the “Drop” command
- Failure of dog to drop on the first command and/or signal
- Dog breaks the down position before being called by the handler
- Handler gives the “Drop” command before being ordered by the judge
- Handler gives command and/or signal to drop but dog travels a substantial distance before dropping
- Failure of dog to come after the drop on the first command and/or signal

Additional Major Deductions.

- Dog stands or downs after stay command but before first recall command
- Dog drops slowly on command or travels a short distance before dropping

Additional Major or Minor Deductions. Depending on the extent of the deviation from the ideal for any exercise, a major or minor deduction may be incurred. Deductions can occur for deviations not listed below at the discretion of the judge.

- Dog does not come directly to the handler after being called from the “Drop” position depending on the degree of deviation from the most direct route
- Slow or delayed response from the dog after either “Call” command and/or signal is given

Section 8. Retrieve on Flat. The primary purpose of this exercise is to demonstrate the dog’s willingness to retrieve a dumbbell, return to the handler, sit in front, and release the dumbbell to the handler’s hand, and then return to heel position. This exercise requires a dumbbell. The dumbbell must conform to the requirements in Chapter 2, Section 5.

• **The judge’s orders for this exercise are:**

- o Are you ready?
- o Throw it
- o Send your dog
- o Take it
- o Finish
- o Exercise finished

Instructions. The judge will ask the handler “Are you ready?” Judging will begin when the handler indicates they are ready. The exercise begins with the dog sitting in heel position with the handler holding the dumbbell. The dumbbell must be thrown a minimum of 16 feet. The handler may throw the dumbbell with either hand. When the judge orders the handler to throw the dumbbell, the handler may command and/or signal the dog to stay before throwing the dumbbell forward as straight as possible. When the judge gives the order “Send Your Dog,” the handler gives the command and/or signal to the dog to go out and retrieve the dumbbell.

The dog must not leave until the command and/or signal is given. The dog must retrieve the dumbbell quickly, return it to the handler, and sit in front. When the judge gives the order to “Take It”, the handler gives the command and/or signal to release the dumbbell. When the dog has released the dumbbell, the judge will give the order to “Finish” and the handler will then command and/or signal the dog to go to heel position.

If the dumbbell goes out of the ring, lands in a position or place where the dog does not have a reasonable chance of retrieving it, is not thrown far enough from the handler, or is thrown too far, the judge may have the handler throw the dumbbell again. If the handler is required to throw the dumbbell a second time the handler may elect to reposition the dog.

Scoring Retrieve on Flat. Scoring for this exercise is the same as the Novice Recall except there will be no deductions related to the jump.

Additional Non-Qualifying.

- Dog tries to retrieve the dumbbell before command and/or signal is given
- Dog refuses to go out on the first command and/or signal
- Dog does not retrieve the dumbbell on the first command and/or signal

- Dog does not return to the handler
- Dog does not return with the dumbbell
- Dog refuses to release the dumbbell to handler

Additional Major or Minor Deductions. Depending on the extent of the deviation from the ideal for any exercise, a major or minor deduction may be incurred. Deductions can occur for deviations not listed below at the discretion of the judge.

- Dog is slow retrieving the dumbbell
- Dog drops, plays with, or mouths the dumbbell
- Dog is reluctant to release the dumbbell to the handler
- Failure of the dog to go directly to the dumbbell and return directly to the handler shall be assessed a major or minor deduction depending on the degree of deviation from the most direct route

Section 9. Retrieve Over the High Jump. The primary purposes of this exercise are to demonstrate the dog's willingness to jump over the high jump, retrieve a thrown dumbbell, return over the high jump with the dumbbell, sit in front of the handler, release the dumbbell to the handler's hand, and return to heel position. This exercise requires a dumbbell and a high jump. *The dumbbell must conform to the requirements in Chapter 2, Section 5 of this rulebook. The high jump may be constructed of any suitable material but must conform to the specifications found in the back of this rulebook under Diagrams.*

• **The judge's orders for this exercise are:**

- o Are you ready?
- o Throw it
- o Send your dog
- o Take it
- o Finish
- o Exercise finished

Instructions. At the start of this exercise the handler and dog must be least 8 feet from the jump with the dog sitting in heel position. The handler must remain in the position from where the dog was sent. The retrieve is the same as the Retrieve on Flat except the dumbbell must go over the high jump, and the dog must jump the high jump both going to and returning with the dumbbell.

Scoring Retrieve Over the High Jump. Scoring for the Open class Retrieve over the High Jump exercise is the same as the Recall exercise in the Novice class and Retrieve on Flat exercise in the Open Class.

Additional Non-Qualifying.

- Dog does not go over the high jump in either direction when retrieving or returning

Section 10. Broad Jump. The primary purposes of this exercise are to demonstrate the dog's willingness to sit, stay, and jump a broad jump when directed. Once the dog has completed the jump the dog must return to the handler in the front position and then go to heel position on command. This exercise requires a broad jump. The broad jump may be constructed of any suitable material but must conform to the specifications *found in the back of this rulebook under Diagrams.*

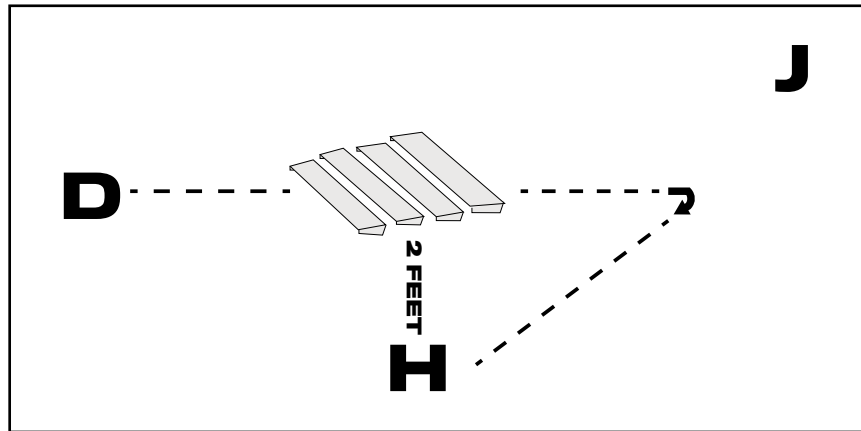
• **The judge's orders for this exercise are:**

- o Are you ready?
- o Leave your dog
- o Send your dog
- o Finish
- o Exercise finished

Instructions. When this exercise begins the handler and dog will be no closer than 8 feet from and facing the lowest board of the broad jump. The judge will ask the handler "Are you ready?" Judging will begin once the handler indicates they are ready. When the judge gives the order "Leave Your Dog," the handler will give the dog a command and/or signal to stay. ***The handler will leave the dog, walk to the right side of the broad jump, turn to the left and stand facing the jump anywhere between the lowest edge of the first board and the highest edge of the last board.***

The handler's toes must be approximately 2 feet away from the edge of the boards. Upon order from the judge to "Send Your Dog" the handler will give a command and/or signal for the dog to jump. The dog must jump completely across the width of the boards without touching them. When the dog is in the air the handler will turn in place 90° to the right and remain in that spot.

Upon landing the dog must, without command or signal, turn, come to the handler, and sit in front. When the judge gives the order or signal to "Finish" the handler will give the command and/or signal for the dog to return to the heel position.



Scoring the Broad Jump. Scoring for this exercise is the same as the Advanced Novice Recall Over the Broad Jump exercise.

Additional Major Deductions.

- Handler’s toes are not at least two feet from the edge of the broad jump

Additional Major or Minor Deductions. Depending on the extent of the deviation from the ideal for any exercise, a major or minor deduction may be incurred. Deductions can occur for deviations not listed below at the discretion of the judge.

- Dog jumps the broad jump but does not come directly to the handler and sit in front

Section 11. Socialized Heeling. The primary purpose of this exercise is to evaluate the sociability and obedience of the dog when presented with a distraction that may normally occur on an average walk with its owner. Dogs should only show casual interest in each other and must not leave heel position.

• **The judge’s orders for this exercise are:**

- o Are you ready?
- o Forward
- o Halt
- o Forward
- o Exercise finished

• **Definitions.**

- o **Working Dog.** Dog that is currently working in the ring and being scored on this exercise.
- o **Socializing Team.** Dog and handler that are next in line to enter the ring.

Instructions. This exercise will be performed with both dogs on leash. The working dog is the only dog being scored during this exercise, with the exception that a judge may excuse or disqualify any dog in accordance with the dog temperament rules found in the official UKC rules for All-Breed events Misconduct and discipline guidelines. After the Broad Jump exercise has been completed, the steward will return the leash to the working team and they will go to an area designated by the judge where there is a clear path from one side of the ring to the other. This will be done either down the middle of the ring or down either long side that is not being used for a jump. The handler will place their dog in a sit.

The socializing team will be ready at ringside and will not enter the ring until after working dog #1 has completed the broad jump and the judge has said “Exercise Finished.” Upon the direction of the judge or steward, the next team, or courtesy dog will enter the ring and go to an area designated by the judge on the opposite side of the ring across from the working dog team, and will place their dog in a sit. Both handlers will begin the exercise with their dogs sitting in heel position facing across from one another. Dogs will be on the inside of the path so that they will pass one another without the handler between them. The judge will ask each handler “Are You Ready?” When handlers answer they are ready, judging will begin.

The judge will order both handlers “Forward.” Both handlers will begin the exercise together and will move forward at a normal pace toward the opposite side of the ring. Once the dog and handler teams reach a distance where they are approximately 10 feet from one another the judge will order the teams to “Halt.” Both teams will come to a complete halt while facing one another for a controlled sit. After a 5 second pause, the judge will again command the teams “Forward” and both teams will continue forward, passing the other team and keeping at least a 4-foot distance between the two dogs, until they reach the other end of the ring where the judge will command “Halt” and “Exercise Finished.”

The working dog may then exit the ring and the socializing team will then become the working dog and will remain to perform the Open class exercises. This exercise will repeat until all dogs have performed the Socialized Heeling exercise. If there is an uneven number of dogs entered for the class, a courtesy dog may be used to perform the Socialized Heeling exercise.

Scoring the Socialized Heeling exercise. Scoring for the heeling part of this exercise is scored the same as the Novice Heel on Leash exercise.

Additional Non-Qualifying. The following must be given a non-qualifying (NQ) score on this exercise:

- Dog refuses to remain in heel position while moving toward the other team
- Handler forces the dog into the controlled sit
- Dog barks continuously
- Dog stands or breaks the controlled sit position
- Dog lunges, snaps at, or tries to interact with the other working dog and/or handler at any time

Additional Major Deductions. Judges must assess major deductions for the following:

- Handler gives an extra command and/or signal to sit on the controlled sit
- The handler gives any command and/or lightly touches the dog for focused attention

Additional Minor Deductions. Depending on the extent of the deviation from the ideal for any exercise, a major or minor deduction may be incurred. Deductions can occur for deviations not listed below at the discretion of the judge.

CHAPTER 16. ADVANCED OPEN INTRODUCTION, EXERCISES, PERFORMANCE, AND SCORING

Section 1. Purpose of the Advanced Open Class. The primary purpose of this class is to provide advanced exercises and demonstrate the usefulness of the dog as a socialized companion that has been trained to more advanced and specific skill sets that include off leash heeling, down stay with distraction, scent discrimination, sending to a destination, retrieving an article, and directed retrieving.

Section 2. Additional Titling Class. Exhibitors do not have to enter or earn titles from any other Obedience class as a pre-requirement. As an additional titling class, dogs entered in this class may also enter any other licensed Obedience class at the same trial. Dogs entered in the Advanced Open class will not be eligible for High in Trial or All Stars points.

Section 3. General Requirements. Dogs must enter and leave the ring on leash. The handler may not guide the dog by its collar or its body during or between the Advanced Open exercises. A major deduction will be imposed for each infraction of this rule. Handlers may talk to their dogs or give extra commands between exercises. Judging will begin when the handler indicates that they are ready.

Section 4. Advanced Open Requirements. Advanced Open Companion Dog Title (ACDX). The Advanced Open Companion Dog title must be earned from the Advanced Open class. There are no divisions in the Advanced Open class. The maximum score that may be earned in this class is 200 points. A minimum qualifying score will be 170 points and over 50 percent of each individual exercise. To earn this title, a dog must:

- Earn three qualifying scores at three different UKC licensed Obedience trials
- There is no restriction on the number of qualifying scores that may be earned under the same judge

Section 5. Advanced Open Exercises and Maximum Points per Exercise.

Advanced Open Point Scale

Advanced Open Exercises.	Exercise Maximum Points
Heel Off Leash with Moving Exercise	45 points
Figure 8 with Down Stay	40 points
Retrieve of an Object	30 points
Scent Discrimination	30 points
Directed Retrieve	25 points
<u>Send Away To Box</u>	<u>30 points</u>
Total Points	200 points

Section 6. Heel Off Leash with Moving Exercise. The primary purpose of this exercise is to demonstrate the dog's ability to heel off leash and execute both a sit and stand when the handler, without stopping, commands the dog to the position while the handler continues to move forward. The dog must remain in the designated position until commanded to move forward once again.

- **The Judge's orders for this exercise are:**
 - o Are you ready?
 - o Forward
 - o Stand Your Dog
 - o Return To Your Dog
 - o Right Turn/Left Turn

- o Sit Your Dog
- o Return To Your Dog
- o Right Turn/Left Turn
- o Halt
- o Exercise finished

Instructions. The judge or steward will direct the handler to the location in the ring where the Heel Off Leash with Moving Exercise will begin. The handler places the dog sitting in heel position. The judge asks the handler if they have any questions. If there are no questions, the judge will ask the handler “Are You Ready?” Judging will begin when the handler indicates they are ready. The judge will then order “Forward.” The handler may give a command and/or signal instructing the dog to heel. The normal forward motion of the handler’s body is a valid signal to the dog to heel, so a judge may not penalize a handler for failing to give a verbal command to heel. The handler will move at a normal pace with a smooth, natural gait.

Once the handler and dog have reached the midway point on the long side of the ring, the judge will order the handler to “Stand Your Dog.” The handler, without stopping or breaking heel position, will command and/or signal the dog to “Stand” and the handler will continue forward to the end of the ring, turn, face the dog, and wait. After a brief pause, the judge will order “Return to Your Dog.” The handler will return around and behind the dog and then without any additional order from the judge, will continue heeling with the dog to the end of the ring where the judge will order either a “Right Turn” or “Left Turn.” The handler may give a command and/or signal for the dog to heel.

After the turn and midway on the short side of the ring, the judge will order the handler to “Sit Your Dog.” The handler, without stopping or breaking heel position, will command and/or signal the dog to sit and the handler will continue forward to the end of the ring, turn, and will face the dog and wait. After a brief pause, the judge will order “Return to Your Dog.” The handler will return around and behind the dog and then without any additional order from the judge, will continue heeling with the dog to the end of the short side of the ring. The handler may give a command and/or signal for the dog to heel. When the handler reaches the end of the ring, the judge will order “About Turn.” The handler and dog will execute an about turn and continue forward.

When the handler and dog reach the midway point, the judge will order a “Right Turn” or “Left Turn” so that the dog and handler will be coming down the middle of the ring. The judge will then order the handler to “Halt” and the dog must sit. The judge will order “Exercised Finished.” The handler may praise the dog but will remain where they have been stopped until the beginning of the Figure 8 exercise.

Scoring the Heel Off Leash with Moving Exercises. Scoring for the Advanced Open class Heel off Leash exercise is identical to the scoring of the Heel Off Leash in the Open class.

Additional Non-Qualifying.

- Dog does not stand or sit on command/signal
- Handler stops forward motion when giving the stand command
- Handler stops forward motion when giving the sit command
- The dog leaves the position before the handler returns
- Dog anticipates position command and/or signal
- Handler gives extra position command and/or signal
- Handler gives the position command and/or signal before being ordered by the judge
- Handler gives command and/or signal, but dog travels a substantial distance

Additional Major Deductions.

- Handler fails to walk counterclockwise around the dog when returning to heel position
- Dog is slow to respond

Additional Major or Minor Deductions. Depending on the extent of the deviation from the ideal for any exercise, a major or minor deduction may be incurred. Deductions can occur for deviations not listed below at the discretion of the judge.

- Dog changes position after the handler returns to heel position

Section 7. Figure 8 and Down Stay. The primary purpose of this exercise is to demonstrate the dog’s ability to remain in heel position and perform a down stay with the distraction of additional people in the ring.

• **The Judge’s orders for this exercise are:**

- o Are you ready?
- o Forward
- o Down Your Dog
- o Leave your dog
- o Return to your dog
- o Exercise finished

After the dog has performed the Heeling Off Leash with Moving Exercise, two stewards will enter the ring and stand approximately 10 feet from one another in an area designated by the judge that is at least 15 feet from, directly in front of, and on the other side of the ring from the path of the working dog. The stewards will stand quietly, facing each other with their arms folded against their chest and will not look at the dog or shift their positions while the handler and dog are performing either the Figure 8 or Down Stay portion of the exercise.

Instructions. The handler and dog will begin this exercise from the position where the Heel Off Leash with Moving Exercise ended. The handler places the dog sitting in heel position. The judge will ask the handler "Are You Ready?" Judging will begin when the handler indicates they are ready. The judge will then order "Forward." The handler may give a command and/or signal instructing the dog to heel.

The handler and dog will move forward to the Figure 8, enter the Figure 8, and may choose to go counterclockwise around the steward on the left, or clockwise around the steward on the right. Whichever direction is chosen, the pattern must be continued once it has been established. The handler must move at a normal pace with a smooth, natural gait. The dog must remain in the heel position. The handler and dog will complete one complete Figure 8 before executing a "Halt" while facing forward. When the handler and dog stop, the judge will order "Down Your Dog," and the handler will command and/or signal the dog to down.

The judge will order the handler to "Leave you Dog," and the handler will command/and or signal the dog to stay. The handler will execute an about turn, leave the dog, and walk to the opposite side of the ring before turning to face the dog. The judge after a brief pause will command the handler to return to their dog, the handler will return to heel position where the judge will command "Exercise Finished."

Scoring the Figure 8 and Down Stay Exercise. Scoring for the Advanced Open class Heel off Leash and Figure 8 exercises are identical to the scoring of the Heel of Leash and Figure 8 exercises in the Open class.

Additional Non-Qualifying.

- Dog refuses to down on the first command and/or signal
- Handler forces the dog into the down position or treats a dog roughly
- Handler gives an extra command and/or signal to stay after leaving the dog
- Dog barks continuously
- Dog sits, stands, crawls, or leaves the down position before the handler returns to heel position

Additional Major Deductions.

- Dog is not in a sitting position before the down command in the Figure 8
- Dog moves a short distance (less than half its body length)
- Handler fails to walk counterclockwise around the dog when returning to heel position
- Dog sits, stands, crawls, or leaves the down position any time as the handler returns to heel position but before the judge says, "Exercise Finished"

Additional Major or Minor Deductions. Depending on the extent of the deviation from the ideal for any exercise, a major or minor deduction may be incurred. Deductions can occur for deviations not listed below at the discretion of the judge.

- The dog sits, stands, or moves from the down position after the handler returns to heel position but before the judge gives the order "Exercise Finished"

Section 8. Retrieve of an Object. The primary purpose of this exercise is to demonstrate the dog's willingness to retrieve an object other than a dumbbell, return to the handler, sit in front and release the object to the handler's hand, and then return to heel position.

• **The judge's orders for this exercise are:**

- o Are you ready?
- o Throw it
- o Send your dog
- o Take it
- o Finish
- o Exercise finished

Handlers will bring three items to the ring for the judge to choose from for this exercise, such as keys, two clean socks tied together, or a toy that does not squeak or roll freely such as a ball. The item must not be any type of dumbbell, article, or glove (such as those used in regular Obedience classes) and must not be edible or injurious to the dog, nor must it be any material that could easily fracture, break, or splinter. It cannot be made of glass. The items must be able to be safely thrown as in the retrieve on the flat. The judge will choose the item any time prior to this exercise.

Instructions. Judge's instructions, orders, and scoring for this exercise are the same as the Retrieve on the Flat in the Open class.

Section 9. Scent Discrimination (3 articles). The primary purpose of this exercise is to demonstrate the dog's ability to select the handler's article from a choice of three identical articles (made of metal, leather, or wood) set in a straight line by detecting the handler's scent on the article and to return to the handler with the correct article. The handler is to have three identical articles that conform to the requirements of Chapter 2, Section 5.

- **The judge's orders for this exercise are:**

- o Are you ready?
- o Send your dog
- o Take it
- o Finish
- o Exercise finished

Instructions. The steward will bring the bag or container of three numbered articles into the ring and present them to the judge for approval. The judge will tell the steward and the handler the number of the article that the handler must scent. The designated article must then be removed from the bag or container without being touched by the judge or steward. Handlers will scent the article using only their hands. Handlers with disabilities may choose an alternate method to scent the article. No article may be scented with anything other than the handler's natural scent. The scented article must not come into contact with the judge, steward, or any other person during this exercise. The dog and handler will come to the designated area facing where the articles will be placed.

The dog must be in a sit and remain seated while the remaining articles are placed on the ground approximately 25 feet from the handler and approximately 6 to 12 inches apart. The articles must be set in a straight line perpendicular to the handler from left to right. The two articles are to be scented by either the judge or a steward before being placed in line. The judge will ask the handler "Are you ready?" Judging will begin when the handler indicates they are ready. The handler will then place the scented article on the judge's clipboard or other neutral surface provided by the judge, who will place the scented article among the other articles.

Once the scented article has been placed the judge will give the "Send Your Dog" order. When the judge gives the "Send Your Dog" order the handler may reach down and allow the dog to sniff their hand and immediately return to normal position. The handler then sends the dog by a signal and/or command to the articles without further instruction from the judge.

The dog must leave the handler's side immediately, retrieve, and return with the correct article and sit in front. When the judge gives the order to "Take It," the handler will give the command and/or signal for the dog to release the article. The dog must release the article and remain in the front position until the judge gives the order to "Finish." The handler will give a command and/or signal to the dog to finish. The dog must immediately return to the heel position, sit, and stay until the judge orders "Exercise Finished."

Scoring Scent Discrimination. Scoring for this exercise is the same as the Novice Recall exercise and the Open Retrieve on Flat except that there are no deductions for the jump in this exercise.

Additional Non-Qualifying.

- Dog retrieves the wrong article or fails to retrieve
- Dog anticipates the handler's command and/or signal to send the dog
- Handler sends their dog before the judge has given the "Send Your Dog" order

Additional Major Deductions.

- A major deduction shall be assessed each time the dog picks up the wrong article, even if it is immediately dropped and then the correct article is brought

Additional Major or Minor Deductions. Depending on the extent of the deviation from the ideal for any exercise, a major or minor deduction may be incurred. Deductions can occur for deviations not listed below at the discretion of the judge.

- Dog is slow, does not work continuously, or is inattentive. A slow dog that works continuously should not be penalized unless it takes more time to find the scented article than is reasonable in the judge's opinion
- Handler holds the signal for too long in the judge's opinion

Section 10. Directed Retrieve. The primary purpose of this exercise is to demonstrate the dog's ability to follow a direction from the handler's mark to a designated glove, retrieve the glove, and to return the glove to the handler. The handler is to have three gloves that conform to the requirements of Chapter 2, Section 5.

- **The judge's orders for this exercise are:**

- o Are you ready?
- o Glove 1, Glove 2 or Glove 3
- o Take it
- o Finish
- o Exercise Finished

Instructions. A steward will lay out Gloves 1, 2, and 3 from left to right. The handler and dog will come to the center of the ring between Gloves 1 and 3, facing toward Glove 2. The gloves will be put out as the handler and dog are taking their position.

Glove 1 must be placed to the handler's left next to the ring barrier. The glove must be centrally located next to the ring barrier approximately 20 feet from either left ring corner. Glove 2 (also referred to as the center glove) must be placed next to the ring barrier facing and directly across from the dog and handler. Glove 3 must be placed to the handler's right next to the ring barrier. The glove must be centrally located next to the ring barrier and approximately 20 feet from either right ring corner. Glove 3 should be directly across from Glove 1.



The judge must stand in such a position so as not to obstruct the handler's or dog's view of the gloves or interfere with any of the handler's signals to the dog. At the beginning of the exercise, the handler will stand on the centerline of the ring between Glove 1 and Glove 3 with the dog sitting in heel position. The judge will ask the handler "Are you ready?" Judging will begin when the handler indicates they are ready. The judge will tell the handler which one of the three gloves must be retrieved by the dog. If the judge selects Glove 1 or Glove 3, then without further orders from the judge the handler will either pivot directly to face the designated glove or make a circular turn in the opposite direction stopping when they are facing the designated glove. At no time may the handler step toward the designated glove while turning.

Once the handler has stopped and is facing the designated glove with the dog sitting in heel position, the handler must mark a straight line of sight for the dog to the designated glove using their left hand. If necessary, the handler may bend at the waist or knees before giving the mark. While holding the mark the handler must use only a voice command in sending the dog to retrieve the designated glove. The dog must go directly to the correct glove, pick it up, return with it, and sit in front. When the judge gives the order to "Take It," the dog must readily release the glove to the handler. When the judge gives the order to "Finish," the handler will command and/or signal the dog to return to heel position and sit.

Scoring the Directed Retrieve. Scoring for this exercise is the same as the Novice Recall and the Open Retrieve on Flat exercise except that there are no deductions for the jump in this exercise and any deductions for the dumbbell will be applied to the glove.

Additional Non-Qualifying.

- Handler fails to mark the designated glove
- Handler gives a signal other than the original mark when sending dog to the glove
- Handler marks a glove other than the one indicated by the judge for the dog to retrieve
- Failure of dog to return with the correct glove or without a glove
- Failure of dog to return to handler

Additional Major Deductions.

- Failure of dog to sit in heel position after the pivot but before being sent on the retrieve

Additional Major or Minor Deductions. Depending on the extent of the deviation from the ideal for any exercise, a major or minor deduction may be incurred. Deductions can occur for deviations not listed below at the discretion of the judge.

- Handler bumps or touches the dog while getting into position for the glove retrieve
- Dog has a crooked sit after the pivot when getting into position for the glove retrieve
- The dog shall be assessed a penalty for each deviation from the most direct route going to or returning from the designated glove depending upon the severity of deviation

Section 11. Send Away to a Box. The primary purpose of this exercise is to demonstrate the dog's ability to go out from the handler in the direction indicated by the handler, to stop when commanded by the handler and stay in place until the handler returns.

The box should be brought into the ring for this exercise and removed before the next dog begins the Advanced Open class.

The judge's orders for this exercise are:

- o Are you ready?
- o Send Your Dog
- o Back to Your Dog
- o Exercise finished

The Send Away box. The construction of the box is outlined in Chapter 2, Section 4.

Instructions. The handler will stand with the dog sitting in heel position at one end of the ring on an imaginary line running down the center of the ring. The judge will ask the handler, "Are you ready?" Judging will begin when the handler indicates they are ready. When the judge gives the order "Send Your Dog," the handler will command and/or signal the dog to the box which is approximately 40 to 45 feet away and approximately 3 feet away from the barrier. The dog should move in a straight line to the box and should enter the box from the front.

When the dog reaches the inside of the box, the handler must, without further instruction from the judge, give the dog a command to turn and sit. The dog must stop immediately, turn, and sit inside the box. The dog does not have to be sitting perfectly straight. If the dog does not sit once it has entered the box, the handler may give one additional command and/or signal to sit without penalty. A dog that does not sit after the second command will receive a major deduction.

Once the dog has stopped and is sitting, the judge will tell the handler "Back to Your Dog." The judge will order "Exercise Finished" after the handler returns to the dog.

Scoring the Send Away to a Box exercise.

Non-Qualifying.

- Failure of dog to go directly to the box
- Failure of the dog to remain sitting inside the box
- Dog anticipates the handler's sit command

Major Deductions.

- Dog is slow going out
- Handler gives second sit command
- Dog does not sit after second sit command
- Dog changes position after handler returns
- Dog creeps inside the box but remains sitting

Major to Minor Deductions. Depending on the extent of the deviation from the ideal for any exercise, a major or minor deduction may be incurred. Deductions can occur for deviations not listed below at the discretion of the judge.

- Handler holds the signal for too long in the judge's opinion

CHAPTER 17. UTILITY INTRODUCTION, EXERCISES, PERFORMANCE, AND SCORING

Section 1. Purpose of the Utility Class. The primary purpose of this class is to demonstrate the usefulness of the dog as a socialized companion that has been trained to a high level with specific skill sets that include off leash heeling using signals only, scent discrimination, a directed marked retrieve, a directed signal retrieve, consecutive recalls, and directed jumping.

Section 2. General Requirements. Dogs must enter and leave the ring on leash. The handler may not guide the dog by its collar or its body during or between the Utility exercises. A major deduction will be imposed for each infraction of this rule. Handlers may talk to their dogs or give extra commands between exercises.

Section 3. Utility Requirements. United Utility Dog Title (UUD). The United Utility Dog title must be earned from the A or B divisions of the Utility class or any combination of the two. The maximum score that may be earned in this class is 200 points. A minimum qualifying score will be 170 points and over 50 percent of each individual exercise. To earn this title, a dog must:

- Earn three qualifying scores at three different UKC licensed Obedience trials
- There is no restriction on the number of qualifying scores that may be earned under the same judge

Section 4. Utility Exercises and Maximum Points per Exercise.

Utility Point Scale

Utility Exercises.

	Exercise Maximum Points
Signal and Heeling	30 points
Scent Discrimination	30 points
Directed "Marked" Retrieve	30 points
Directed "Signal" Retrieve	30 points
Consecutive Recalls	40 points
<u>Directed Jumping</u>	<u>40 points</u>
Total Points	200 points

Section 5. Signal and Heeling Exercise. The primary purpose of this exercise is to demonstrate the ability of the dog to heel, stand, stay, drop, sit, and come in response to hand signals from the handler.

- **The judge's orders for this exercise are:**
 - o Are you ready?
 - o Forward
 - o Left turn
 - o Right turn

- o About turn
- o Halt
- o Slow
- o Normal
- o Fast
- o Stand your dog
- o Leave your dog
- o Exercise finished

After the order "Forward" the judge's orders may be given in any sequence the judge deems appropriate except the orders to "Stand Your Dog" and "Leave Your Dog." These orders will be the last commands for the heeling portion of this exercise. The sequence of orders must be the same for each handler.

• **The judge's signals for this exercise are:**

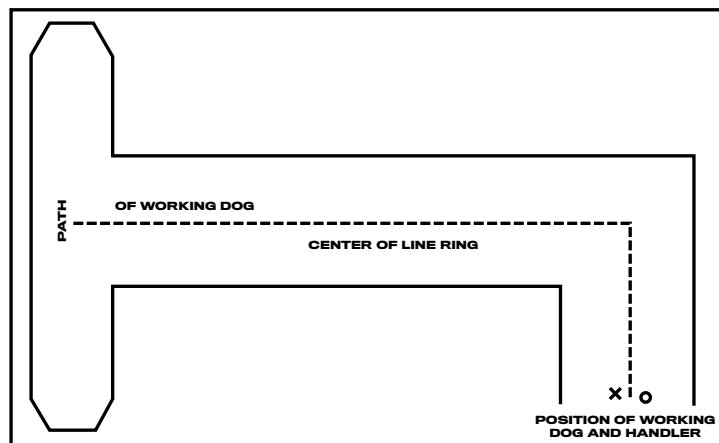
- o Down
- o Sit
- o Call
- o Finish

Unless the layout of the ring makes it impossible, the judge must be out of the dog's line of sight while giving signals to the handler. The sequence of signals must be the same for each handler.

• **The handler's signals for this exercise are:**

- o Heel.
- o Stand
- o Stay
- o Down
- o Sit
- o Come
- o Finish

Instructions. The judge will ask the handler, "Are you ready?" Judging will begin when the handler indicates they are ready. When the judge gives the order "Forward," the handler will signal the dog to heel and the team will begin walking the heeling pattern called by the judge. The heeling pattern must have at least one right turn, one left turn, one about turn, a slow pace, a fast pace, and one halt before the order to "Stand Your Dog" is given. Upon order from the judge to "Stand Your Dog," the handler will halt, giving the dog a signal to stand, to which the dog must immediately respond by halting and standing while remaining in heel position. When the judge gives the order to "Leave Your Dog," the handler will signal the dog to stay and walk to the opposite side of the ring, turn, and face the dog. The dog must remain standing in position. The judge will then begin the sequence of signals to the handler who must in turn signal the dog to Down, Sit, Come, and Finish. The dog must immediately respond with the appropriate action to each signal when given by the handler. When the dog has finished the judge will give the order "Exercise Finished".



Scoring Signal and Heeling Exercise. Scoring for this exercise is the same as the Novice Heel on Leash and Figure Eight and Recall exercises except that there is no leash or jump-related deductions for this exercise, and no additional signals for heeling are allowed without penalty.

Additional Non-Qualifying.

- Handler gives any type of audible command during any portion of this exercise
- Failure of dog to stay where left by the handler
- Failure of dog to stand or remain standing where left after a single signal from handler
- Dog anticipates the Down, Sit, or Come
- Failure of dog to Down, Sit, Stay, or Come on the first appropriate signal from handler

Additional Major Deductions.

- Dog is slow to respond to the handler's signals to Down, Sit, Stay, Come or Finish

Additional Major or Minor Deductions. *Depending on the extent of the deviation from the ideal for any exercise, a major or minor deduction may be incurred. Deductions can occur for deviations not listed below at the discretion of the judge.*

- Dog stands, downs, or sits in response to the handler's signal but continues to move forward
- Handler holds the signal too long

Section 6. Scent Discrimination. The primary purpose of this exercise is to demonstrate the dog's ability to select the handler's article from their choice of five identical articles (made of metal, leather, or wood) by detecting the handler's scent on the article and to return to the handler with the correct article. The handler is to have five identical articles that conform to the requirements of *Chapter 2, Section 5*.

- **The judge's orders for this exercise are:**

- o Are you ready?
- o Send your dog
- o Take it
- o Finish
- o Exercise finished

Instructions. The steward will bring the bag or container of five numbered articles into the ring and present them to the judge for approval. The judge will tell the steward and the handler the number of the article that the handler must scent. The designated article must then be removed from the bag or container without being touched by the judge or steward. Handlers will scent the article using only their hands. Physically challenged handlers may choose an alternate method to scent the article. No article may be scented with anything other than the handler's natural scent. The scented article must not come into contact with the judge, steward, or any other person during this exercise. The dog and handler will turn away from the judge or steward as the remaining articles are placed on the ground approximately 15 feet from the handler and approximately 6 to 12 inches apart. These remaining articles may be scented by the steward before being placed on the ground. If this is done, all articles must be scented by the same person.

The handler will indicate to the judge their choice of sending the dog to the article pile, option #1 or option #2. The judge will ask the handler "Are you ready?" Judging will begin when the handler indicates they are ready. The handler will then place the scented article on the judge's clipboard or other neutral surface provided by the judge, who will place the scented article among the other articles. Once the scented article has been placed the judge will give the "Send Your Dog" order.

When the judge gives the "Send Your Dog" order the handler may reach down and allow the dog to sniff their hand and immediately return to normal position. If Option # 1 is used, the handler will do a right about turn and simultaneously send their dog to the article pile without stopping. If Option # 2 is used, the handler will do a right about turn and stop; the dog must turn with the handler and sit in heel position before being sent to the articles. The handler then sends the dog by a command and/or signal to the pile of articles.

The dog must leave the handler's side immediately, retrieve, and return with the correct article and sit in front. When the judge gives the order to "Take It," the handler will give the command and/or signal for the dog to release the article. The dog must release the article and remain in the front position until the judge gives the order to "Finish." The handler will give a command and/or signal to the dog to finish. The dog must immediately return to the heel position, sit, and stay until the judge orders "Exercise Finished."

At outdoor trials only, a judge who determines the grass in the ring is so long that small dogs might not be able to see the articles may allow the dog and handler to face the articles as they are placed. This determination must be made before the class begins and will be the same for each dog in the class. After the articles have been placed the handler and dog will turn away from the pile of articles and wait for the judge's orders.

Scoring Scent Discrimination. Scoring deductions for this exercise are the same as the Novice Recall exercise the Open Retrieve on Flat exercises except that there are no deductions for the jump in this exercise.

Additional Non-Qualifying.

- Dog retrieves the wrong article or fails to retrieve
- Dog anticipates the handler's command and/or signal to send the dog
- Dog sits after the about turn – option #1
- Handler commands and/or signals their dog to sit after the about turn – option #1
- Dog does not stop and sit after the about turn – option #2
- Handler sends their dog before the judge has given the "Send Your Dog" order – both options

Additional Major Deductions.

- A major deduction shall be assessed each time the dog picks up the wrong article, even if it is immediately dropped and then the correct article is brought
- Dog hesitates but does not sit after the about turn then proceeds directly to the article pile – option #1
- Dog stops but does not sit after the about turn and before being sent – option #2
- Handler commands the dog to sit after the about turn – option #2

Additional Major or Minor Deductions. Depending on the extent of the deviation from the ideal for any exercise, a major or minor deduction may be incurred. Deductions can occur for deviations not listed below at the discretion of the judge.

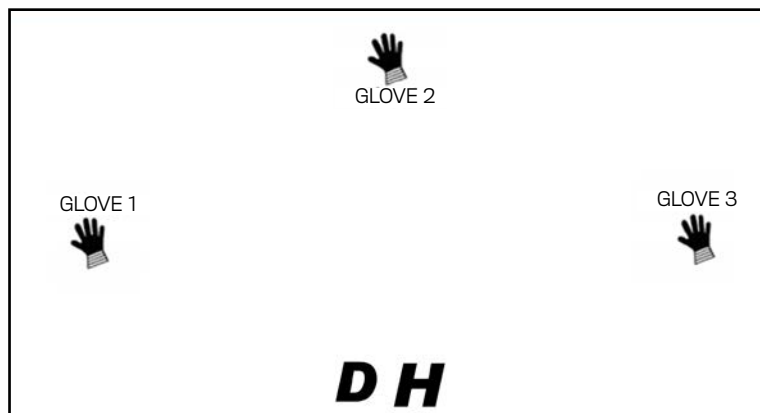
- Dog is slow, does not work continuously, or is inattentive. A slow dog that works continuously should not be penalized unless it takes more time to find the scented article than is reasonable in the judge's opinion
- Handler holds the signal too long in the judge's opinion
- Dog's about turn is poor or wide
- Dog's sit following the about turn is slow or crooked – option #2

Section 7. Directed Marked Retrieve. The primary purpose of this exercise is to demonstrate the dog's ability to follow a straight line out from the handler's mark to a designated glove, retrieve the glove, and to return the glove to the handler. The handler is to have three gloves that conform to the requirements of Chapter 2, Section 5.

- **The judge's orders for this exercise are:**

- o Are you ready?
- o Glove 1, Glove 2 or Glove 3
- o Take it
- o Finish
- o Exercise Finished

Instructions. With the handler and dog positioned as indicated in the diagram below, a steward will lay out Gloves 1, 2 and 3 from left to right.



Glove 1 must be placed to the handler's left next to the ring barrier. The glove must be centrally located next to the ring barrier approximately 20 feet from either left ring corner. Glove 2 (also referred to as the center glove) must be placed next to the ring barrier facing and directly across from the dog and handler. Glove 3 must be placed to the handler's right next to the ring barrier. The glove must be centrally located next to the ring barrier and approximately 20 feet from either right ring corner. Glove 3 should be directly across from Glove 1.

The judge must stand in such a position on either side of the handler and dog so as not to obstruct the handler's view of the gloves or interfere with any of the handler's signals to the dog. At the beginning of the exercise, the handler will stand on the centerline of the ring near the ring barrier opposite Glove 2 with the dog sitting in heel position. After the steward has placed the gloves the judge will ask the handler "Are you ready?" Judging will begin when the handler indicates they are ready.

The judge will tell the handler which one of the three gloves must be retrieved by the dog. If the judge selects Glove 1 or Glove 3, then without further orders from the judge the handler will either pivot directly to face the designated glove or make a circular turn in the opposite direction stopping when they are facing the designated glove. At no time may the handler step toward the designated glove while turning.

Once the handler has stopped and is facing the designated glove with the dog sitting in heel position, the handler must mark a straight line of sight for the dog to the designated glove using their left hand. If necessary, the handler may bend at the waist or knees before giving the mark.

While holding the mark the handler must use only a voice command in sending the dog to retrieve the designated glove. The dog must go directly to the correct glove, pick it up, return with it, and sit in front. When the judge gives the order to "Take It," the dog must readily release the glove to the handler. When the judge gives the order to "Finish," the handler will command and/or signal the dog to return to heel position and sit.

Scoring the Directed Marked Retrieve. Scoring for this exercise is the same as the Novice Recall exercise and the Open Retrieve on Flat except that there are no deductions for the jump in this exercise and any deductions for the dumbbell will be applied to the glove.

Additional Non-Qualifying.

- Handler fails to mark the designated glove
- Handler gives a signal other than the original mark when sending dog to the glove
- Handler marks a glove other than the one indicated by the judge for the dog to retrieve
- Failure of dog to return with the correct glove or without a glove
- Failure of dog to return to handler

Additional Major Deductions.

- Failure of dog to sit in heel position after the pivot but before being sent on the retrieve

Additional Major or Minor Deductions *Depending on the extent of the deviation from the ideal for any exercise, a major or minor deduction may be incurred. Deductions can occur for deviations not listed below at the discretion of the judge.*

- Handler bumps or touches the dog while getting into position for the glove retrieve
- Dog has a crooked sit after the pivot when getting into position for the glove retrieve
- The dog shall be assessed a penalty for each deviation from the most direct route going to or returning from the designated glove depending upon the severity of deviation

Section 8. Directed Signal Retrieve. The primary purposes of this exercise is to demonstrate the dog's ability to follow a straight line out from the handler's position to a designated spot, retrieve a glove designated by the handler's signal, and to return the glove to the handler. This exercise will immediately follow the Directed Marked Retrieve; however, the judge has the option to rotate the order of the gloves to be retrieved by each dog. The same gloves used in the Directed Marked Retrieve will be used for this exercise.

• **The judge's orders for this exercise are:**

- o Are you ready?
- o Send your dog
- o Glove 1, Glove 2, or Glove 3
- o Take It
- o Finish
- o Exercise Finished

Instructions. This exercise requires the handler to send the dog straight out to the center of the ring and to stop and sit the dog midway between all three gloves and in line with Glove #2. Glove placement and order is identical to that in the Directed Marked Retrieve exercise. Before beginning this exercise, a steward will replace the glove that was retrieved during the previous exercise and the dog and handler will assume the same position as at the start of the Directed Marked Retrieve exercise.

The judge will ask the handler "Are you ready?" Judging will begin when the handler indicates they are ready. When the judge gives the order "Send Your Dog," the handler will command and/or signal the dog toward the center spot of the ring. When the dog reaches the spot, the handler must give the dog a command and/or signal to stop and sit without further instruction from the judge. The dog must stop immediately, turn, and sit. The dog does not need to be directly in line with the handler. The handler may give one additional command and/or signal to sit with a major deduction. A dog that does not sit after the second command will receive a mandatory 10-point deduction. ***The dog will receive either the deductions for the no sit, and/or the additional command/signal to sit, or the mandatory 10-point deduction but not both. The total deduction amount will not exceed ten points.***

Once the dog has stopped, the judge will tell the handler which glove the dog is to retrieve. The judge has the option to rotate the order of the gloves to be retrieved by each dog. The handler must give a command and/or signal for the dog to retrieve the designated glove. The dog must retrieve the correct glove, pick it up, return to the handler, and sit in front. If the designated glove is Glove 1 or Glove 3, the handler may pivot their body toward the designated glove while the dog is moving toward the glove, so the dog has a direct line of return on the retrieve. When the judge gives the order to "Take It," the dog must readily release the glove to the handler. When the judge gives the order to "Finish," the handler must command and/or signal the dog to return to heel position and sit. Once the dog has completed the finish and is in heel position, the judge says, "Exercise finished."

Scoring the Directed Signal Retrieve. Scoring for this exercise is the same as the Novice Recall exercise and the Open Retrieve on Flat except that there are no deductions for the jump

in this exercise and any deductions for the dumbbell will be applied to the glove. Using the graph below, the following deductions shall be imposed:

PENALTIES IN POINTS FOR OFF CENTER SITS/STOPS

	10 FEET	20 FEET	30 FEET		
	NQ	5	5	NQ	
	5	4	3	3	4
		3	No Ded	No Ded	3
	4	3	No Ded	No Ded	3
		4	3	3	4
	NQ	NQ	NQ	NQ	

HANDLER

END OF RING
 50 FEET

THREE FOURTHS LENGTH OF RING
 37 ½ FEET

MIDDLE OF RING
 25 FEET

ONE FOURTH LENGTH OF RING
 12 ½ FEET

Additional Non-Qualifying.

- Dog anticipates command to go out to the designated sitting position
- Dog stops, turns, or sits without a command from the handler
- Failure to stop on the handler’s command within the qualifying area
- Dog anticipates the handler’s signal to retrieve the designated glove
- Handler gives command to retrieve the glove without giving a signal
- Handler gives dog a third sit command
- After stopping in the designated area, dog walks out of or leaves the qualifying area without a command from the handler

Mandatory 10-point deduction

- Dog does not sit after the second sit command

Additional Major Deductions.

- Dog stops on command within the designated sitting position, turns to face the handler, but fails to sit on the first command
- Handler gives dog a second sit command

Additional Major or Minor Deductions. Depending on the extent of the deviation from the ideal for any exercise, a major or minor deduction may be incurred. Deductions can occur for deviations not listed below at the discretion of the judge.

- Dog sits outside of the ideal sitting position
- Handler holds the signal too long in the judge’s opinion
- The dog shall be assessed a penalty for each deviation from the most direct route, going to or returning from the designated glove, depending upon the severity of deviation
- The dog shall be assessed a penalty if it does not sit directly in front of the handler upon its return, depending upon the severity of deviation

Section 9. Consecutive Recall. This exercise has two parts. The primary purposes of this exercise are to demonstrate the dog’s ability to respond promptly to two consecutive recalls: one with a drop and one without a drop and without anticipating the handler’s commands.

• **The judge’s orders for the drop on recall part of this exercise are:**

- o Are you ready?
- o Leave your dog
- o Call your dog
- o Drop
- o Call your dog
- o Finish

• **The judge’s orders for straight recall part of this exercise are:**

- o Leave your dog
- o Call your dog
- o Finish
- o Exercise finished

Instructions. Prior to the start of this exercise the judge will designate a starting position for the Consecutive Recalls. The drop on recall and the straight recall are both required for this exercise. The judge will determine which order the recalls will be performed in this exercise. Whichever order is used, the judge must use the same recall order for each exhibitor in that class. The judge will ask the handler, "Are you ready?" Judging will begin when the handler indicates they are ready.

Drop on recall: The exercise begins with the dog sitting in heel position. The judge will give the order to "Leave Your Dog" then the handler will command and/or signal the dog to stay, leave the dog, and walk to the opposite side of the ring, then turn and face the dog. The judge will then order or signal to "Call Your Dog." The handler will call the dog by using a command and/or signal. The judge will then give the order or signal to "Drop" and the handler will give a command and/or signal for the dog to drop down. The judge will then give a second order or signal to "Call Your Dog" and the handler will command and/or signal the dog to come and sit in front. When the judge gives the order to "Finish", the handler will give a command and/or signal for the dog to return to heel position and sit.

Straight recall: This exercise begins with the dog sitting in heel position. The judge will give the order to "Leave Your Dog." The handler will command and/or signal the dog to stay, leave the dog, and walk to the opposite side of the ring, turn, and face the dog. The judge will then order or signal to "Call Your Dog." The handler will call the dog using a command and/or signal. The dog must come to the handler immediately and sit in front. When the judge gives the order or signal to "Finish," the handler will give a command and/or signal to the dog to return to heel position and sit.

After the dog has completed the first recall, Drop or Straight, the judge will immediately order the handler to "Leave Your Dog." The team will then perform the second recall. The exercise is completed when the judge says, "Exercise Finished."

Scoring Consecutive Recall. Scoring for this exercise is the same as the Novice Recall exercise and the Open Drop on Recall exercises except that there will be no deductions related to the jump as in the Novice Recall exercise.

Additional Non-Qualifying.

- Handler gives the command or signal to drop before being ordered to do so by the judge
- Dog does not drop when commanded
- Handler does not give the drop command and/or signal when performing the Drop on Recall
- Handler gives a drop command and/or signal when performing the Straight Recall

Additional Major or Minor Deductions. Depending on the extent of the deviation from the ideal for any exercise, a major or minor deduction may be incurred. Deductions can occur for deviations not listed below at the discretion of the judge.

- Handler holds the signal too long in the judge's opinion

Section 10. Directed Jumping. This exercise has two parts. The primary purpose of this exercise is to demonstrate the dog's ability to go out from the handler in the direction indicated by the handler, to stop when commanded by the handler, and when called, jump as directed and return to the handler. The judge has complete discretion as to which jump shall be placed on the left and right sides of the ring and the order in which the dog must go over each jump. This exercise requires a High Jump and a Bar Jump conforming to the requirements *found in the back of this rulebook under Diagrams.*

Jump Placement. Stewards shall bring the jumps into the ring after the Consecutive Recall exercise but before the Directed Jumping exercise. At the discretion of the judge the jumps may be stored inside the ring during the preceding exercises if they are placed so as not to interfere with any exercise. The jumps must be placed midway and at right angles to the sides of the ring and approximately 18 to 20 feet apart. The Bar Jump will be on one side and the High Jump on the other. Jump height must be set for each dog in accordance with the appropriate Jump Height and Distance Tables on page 74 of this rulebook. To save time it is recommended that the jumps be set before the dog is required to jump. If the jumps are already at the dog's correct jump height the stewards need only place them in the proper location when needed. The judge must ensure that the jumps are set to the proper height for each dog.

- **The judge's orders for this exercise are:**
 - o Are you ready?
 - o Send your dog
 - o High
 - o Bar
 - o Finish
 - o Exercise finished

Instructions. The handler will stand with the dog sitting in heel position at one end of the ring on an imaginary line running down the center of the ring about 20 feet from the jumps. The judge will ask the handler, "Are you ready?" Judging will begin when the handler indicates they are ready. When the judge gives the order "Send Your Dog," the handler will command and/or signal the dog toward a spot approximately 20 feet beyond the jumps and as near as possible on the imaginary centerline of the ring. The dog should be no closer than 10 feet from the jumps. When the dog reaches the spot, the handler must, without further instruction from the judge, give the dog a command to turn and sit. The dog must stop immediately turn and sit but does not necessarily need to be directly in line with the handler. The handler may give one additional command and/or signal to sit but will receive a major deduction for each go-out.

Once the dog has stopped, the judge will tell the handler whether the dog is to jump the High Jump or the Bar Jump. The handler must give a command and/or a signal for the dog to jump the designated jump. The dog must jump the correct jump neatly, return to the handler, and sit in front. The handler may pivot their body toward the designated jump while the dog is in midair, so the dog has a direct line of return from the jump. When the judge gives the order or signal to "Finish," the handler must give

the command and/or signal for the dog to return to heel position. After the judge orders “Exercise Finished,” the dog and handler will return to the original position for the second half of this exercise.

The exercise will be repeated using the same orders and procedures except the dog will be commanded and/or signaled to go over the other jump.

Scoring Directed Jumping. Scoring deductions for the Recall exercise in the Novice class, the Retrieve Over High Jump exercise in the Open class, and the Directed Signal Retrieve in the Utility class shall apply. Jump related deductions from these exercises will apply to the Directed Jumping exercise. No deductions related to the dumbbell or glove shall apply.

Additional Non-Qualifying.

- Failure of dog to go out between the jumps
- Dog anticipates the handler’s sit command
- Failure of dog to go out or remain at least ten feet beyond the jumps
- Dog anticipates the handler’s command and/or signal to jump
- Failure of dog to jump the directed jump
- Dog knocks the bar off the uprights
- Dog uses either jump as an aid when going over

Additional Major Deductions.

- Handler commands the dog to sit before it gets to the designated spot
- Handler gives additional sit command on first go-out
- Handler gives additional sit command on second go-out
- Dog is slow going out

Additional Major to Minor Deductions. Depending on the extent of the deviation from the ideal for any exercise, a major or minor deduction may be incurred. Deductions can occur for deviations not listed below at the discretion of the judge.

- Failure of dog to sit when it gets to the designated spot
- Dog’s sit position deviates from the ideal
- Handler holds the signal too long in the judge’s opinion
- Dog that strays from the most direct route going to center spot on the far end of the ring will be assessed a penalty depending upon the extent of the deviation

CHAPTER 18. MASTER CLASS INTRODUCTION, EXERCISES, PERFORMANCE, AND SCORING

Section 1. Purpose of the Master Class. The primary purpose of this class is to demonstrate the usefulness of the dog as a socialized companion that has been trained to a Master level of Obedience with specific skill sets that include seek back, positions, send to a cone and return, send away with dumbbell retrieve, and handler discrimination.

Section 2. Additional Titling Class. Exhibitors do not have to enter or earn any other Obedience class or title as a pre-requisite. As an additional titling class, dogs entered in this class may also enter any other licensed Obedience class at the same trial. Dogs entered in the Master class will not be eligible for High in Trial or All Stars points.

Section 3. General Requirements. Dogs must enter and leave the ring on leash. The handler may not guide the dog by its collar or its body during or between the Master exercises. A major deduction will be imposed for each infraction of this rule. Handlers may talk to their dogs or give extra commands between exercises. In all exercises, judging will begin when the handler indicates that they are ready.

Section 4. Master Requirements. Master Obedience Dog Title (MOD). The Master Obedience Dog title must be earned from the Master class. There are no divisions in the Master class. The maximum score that may be earned in this class is 200 points. A minimum qualifying score will be 170 points and over 50 percent of each individual exercise. To earn this title, a dog must:

- Earn three qualifying scores at three different UKC licensed Obedience trials
- There is no restriction on the number of qualifying scores that may be earned under the same judge

Section 5. Master Exercises and Maximum Points per Exercise.

Master Point Scale

Master Exercises.	Exercise Maximum Points
Seek Back	40 points
Positions with Recall	40 points
Send to a Cone and Return	40 points
Send Away with Dumbbell Retrieve	40 points
<u>Handler Discrimination</u>	<u>40 points</u>
Total Points	200 points

Section 6. Seek Back. The primary purpose of this exercise is to demonstrate the dog's ability to heel off leash and that the dog seek and retrieve the dark glove and promptly return with the glove to the handler.

- **The judge's orders for this exercise are:**

- o Are you ready?
- o Forward
- o Drop It
- o Halt
- o Send Your Dog
- o Take It
- o Finish
- o Exercise Finished

Instructions. Prior to the start of the class, the judge will designate a location for the Seek Back exercise to begin. The judge or steward will direct the dog and handler to the designated location. The exercise will begin as does the Open Heel Off Leash exercise. The glove will be dropped anywhere other than the center line of the send away exercise. The glove must adhere to the specifications found in Chapter 2, Section 5. The glove must be carried in the handler's right hand.

The judge will ask the handler if they have any questions. If there are no questions, the judge will ask the handler "Are you ready?" Judging will begin when the handler indicates they are ready. The judge will then order "Forward." The handler may give a command and/or signal instructing the dog to heel. The handler will move at a normal pace with a smooth, natural gait. The handler and dog will execute portions of the Open Heel Off Leash exercise that must include at least one right or left turn.

On the judge's order "Drop It," the handler will drop the glove while walking with the dog at heel without turning or attracting the dog's attention. After the glove is dropped, the handler and dog will proceed at least an additional 30 feet. The judge will order the handler to either "Halt" or "About Turn and Halt" to give the dog enough room to perform a front and a finish. The judge will order "Send Your Dog," and the handler will give the command only, without a signal, for the dog to seek and retrieve the glove.

The handler must quietly remain in the place from where the dog was sent. The dog need not go directly to the glove but may use either sight and/or scent to locate the glove within a reasonable amount of time. The dog must retrieve the glove and return briskly to the handler and sit in front. When the judge gives the order to "Take It," the handler gives the command and/or signal to release the glove. When the dog has released the glove, the judge will give the order to "Finish" and the handler will then command and/or signal the dog to go to heel position. The judge will then order "Exercised Finished."

Scoring Seek Back. Scoring for this exercise is the same as the Open Heel off Leash and Retrieve on the Flat exercises.

Additional Non-Qualifying.

- Handler gives a distinct signal to retrieve
- Dog takes an unreasonable amount of time to find and/or retrieve glove

Major or Minor Deductions. Depending on the extent of the deviation from the ideal for any exercise, a major or minor deduction may be incurred. Deductions can occur for deviations not listed at the discretion of the judge.

Section 7. Positions with Recall. The primary purpose of this exercise is to demonstrate the dog's ability to stay where left, respond correctly to each of the four position changes on one command and/or signal, and remain in position until recalled to the handler. The dog should change positions three (3) times (sit, down, or stand) after the handler has left the dog and according to the judge's directions.

- **The judge's orders for this exercise are:**

- o Are you ready?
- o Judge gives first position command (Down or Stand)
- o Leave Your dog
- o Call Your Dog
- o Finish
- o Exercise Finished

Instructions. Prior to the start of the class, the judge will designate a location for the Positions with Recall exercise to begin. The location must be centered at the far end of the ring on the center line with the dog and handler facing toward the center of the ring. The judge will choose one of following sequences to be used for each class. The same sequence must be used for each dog in the class and will be posted before the start of judging.

- A. Down – Sit – Stand – Down
- B. Stand – Down – Sit – Stand
- C. Down – Stand – Sit – Down
- D. Stand – Sit – Down – Stand
- E. Down – Sit – Down – Stand
- F. Stand – Down – Stand – Sit

The judge or steward will direct the dog and handler to the designated location. The dog will be sitting at heel with the handler. The judge will ask the handler “Are you ready?” Judging will begin when the handler indicates they are ready. The judge will then give the handler the first position for the dog to take and the handler will command and/or signal the dog to take that position.

The judge will then order “Leave Your Dog.” The handler may give a command and/or signal instructing the dog to stay before walking forward approximately 30 feet before turning to face the dog, standing with their arms and hands hanging naturally. A steward will be waiting at the assigned position at the other side of the ring and will show the exhibitor the order the dog should change positions with written signs, drawings, or an electronic display board (tablet, flip cards, etc.) one at a time. The steward should stand beside the handler approximately 3 feet away, not close enough to interfere with the handler’s commands to the dog and not far enough away so that the handler cannot see what the steward is showing them. The steward will change the sign about every 4 seconds after the dog assumes the correct position from the sequence chosen by the judge.

The handler may use commands and/or signals and the dog must immediately respond with the appropriate action to each command and/or signal when given by the handler. The handler may give one additional command and/or signal for each position change. Emphasis should be on the speed at which the positions are taken, the cleanness of the positions, and how well the positions are held without excess movement forward from the dog. The dog should not move a total of more than one body length from the starting point in any direction.

Once the sequence is finished, the steward will back away from the handler and the judge will order the handler to “Call Your Dog.” The handler will command and/or signal the dog to come. The dog will come directly and briskly to the handler and sit in front. On the judge’s order, the handler will give the command and/or signal to finish. Once the dog has completed the finish and is in heel position, the judge will say “Exercise finished.”

Scoring Positions with Recall Exercise. Scoring for this exercise is based upon the accuracy of the positioning exercise similar to that found in the Utility signal exercise and the same as scoring of the Recall exercise in the Novice class, except there will be no deductions related to the jump.

Additional Non-Qualifying.

- Handler gives an extra command and/or signal to stay after leaving the dog
- Dog barks continuously
- Failure of the dog to remain in the initial position
- Failure of the dog to take the correct position after any second command and/or signal
- Failure of the dog to remain in the final position until called
- Dog anticipates any position
- Dog moves more than a body length away from where it was left

Additional Major Deductions.

- Dog is slow to respond to the handler’s signals to Down, Sit, Stay, Come or Finish
- Dog does not respond on first command or signal for any position
- Dog moves less than a body length away in any direction

Additional Major or Minor Deductions. Depending on the extent of the deviation from the ideal for any exercise, a major or minor deduction may be incurred. Deductions can occur for deviations not listed below at the discretion of the judge.

- Handler holds any signal too long

Section 8. Send Away to a Cone and Return. The primary purpose of this exercise is to demonstrate the dog’s ability to be sent forward and around an obstacle and return to the front of the handler.

• **The judge’s orders for this exercise are:**

- o Are you ready?
- o Send Your dog
- o Finish
- o Exercise Finished

Instructions. Prior to the exercise a steward will place a cone or pylon in the centerline path of the ring and approximately 8 feet in from the end of the ring. The cone must be at least 18 inches tall. The handler will stand at least 40 feet away from and face the cone with the dog sitting in heel position at a place designated by the judge.

The judge will ask the handler "Are You Ready?" Judging will begin when the handler indicates they are ready. The judge will order the handler to "Send Your Dog," and the handler will command and/or signal the dog to go forward toward the cone. The dog's path can be clockwise or counterclockwise around the cone. The dog will go around the cone and return to the handler and sit in front. The handler may give 1 additional command to go out around the cone and 1 additional command to come to front without penalty. On the judge's order, the handler will give the command and/or signal to finish. Once the dog has completed the finish and is in heel position, the judge says, "Exercise finished."

Scoring Send Away to Cone and Return. Scoring for this exercise is the same as the Novice Recall exercise except that there are no deductions related to the jump.

Additional Non-Qualifying

- Dog refuses to leave handler
- Failure of dog to go around the cone
- Handler gives more than 1 additional command to go out or to come front
- Handler steps toward cone when sending dog
- Dog picks up or retrieves the cone

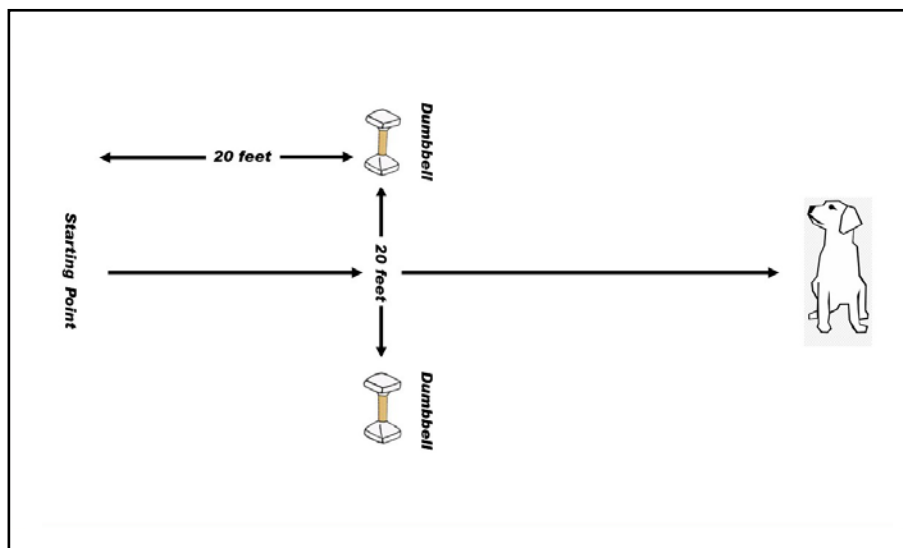
Additional Major Deductions.

- Dog is slow to respond
- Dog knocks cone over
- Handler has excessive body motion when sending the dog

Major or Minor Deductions. Depending on the extent of the deviation from the ideal for any exercise, a major or minor deduction may be incurred. Deductions can occur for deviations not listed at the discretion of the judge.

Section 9. Send Away with Dumbbell Retrieve. The primary purpose of this exercise is to demonstrate the dog's willingness to be sent forward, stopped, take a specific position, be directed to and retrieve a dumbbell, return to the handler, sit in front and release the dumbbell to the handler's hand, and then return to heel position. This exercise requires the handler to provide two dumbbells of the same size and color. The size of the dumbbells should be in proportion to the size of the dog, but the handler is free to choose the size.

Set Up. Prior to the beginning of the class, the steward will remove the pylon from the Send Away to Cone exercise. The steward will then place one of the handlers' dumbbells midway down the long side of the ring and approximately 10 feet from the ring barrier, and the other dumbbell directly across from the first dumbbell on the other side of the ring. There must be a minimum of 20 feet between the two dumbbells. Between each dog, the dumbbells should always be placed by the steward in the same order (from right to left or from left to right) regardless of which dumbbell is retrieved.



The judge's orders for this exercise are:

- o Are you ready?
- o Send Your dog
- o Retrieve
- o Take It
- o Finish
- o Exercise Finished

Instructions. The judge will determine which dumbbell each dog will retrieve and does not have to be the same for each handler. The handler will stand with the dog sitting in heel position at one end of the ring on an imaginary line running down the center of the ring. The steward will place the dumbbells in the designated positions. The judge will ask the handler "Are you ready?" Judging will begin when the handler indicates they are ready.

When the judge gives the order "Send Your Dog," the handler will command and/or signal the dog toward a spot approximately 3 to 4 feet away from the opposite end of the ring and as near as possible on the imaginary center line of the ring. The dog must be at least 15 feet from the dumbbells before being told to stop.

When the dog reaches the spot, the handler must, without further instruction from the judge, give the dog a command to turn and sit. The dog must stop immediately, turn, and sit. The dog should be directly in line with the handler. The handler may give one additional command and/or signal to sit but will receive a major deduction.

Once the dog has been stopped and is sitting for approximately 3 seconds, the judge will tell the handler whether the dog is to retrieve the dumbbell on the right or the dumbbell on the left. The handler must immediately give a command and/or signal for the dog to retrieve the designated dumbbell. The handler may stop the dog and give one additional direction command during the retrieve but will receive a major deduction. The dog must retrieve the correct dumbbell, return to the handler, and sit in front. The judge will order the handler to take the dumbbell and then order the handler to finish their dog. The handler will take the dumbbell from the dog and will then command and/or signal for the dog to return to heel position. Once the dog has completed the finish and is in heel position, the judge says, "Exercise Finished."

Scoring Send Away with Dumbbell Retrieve. Scoring for this exercise is the same as the applicable Novice Recall exercise, the Open Retrieve on the Flat exercise, and the Utility Directed Jumping Exercise.

Additional Non-Qualifying:

- Dog retrieves incorrect dumbbell
- Dog that retrieves the dumbbell before the command is given
- Dog is stopped and/or redirected more than once to retrieve the correct dumbbell
- Dog does not go out at least 15 feet past the dumbbells

Additional Major Deductions:

- Handler gives a second sit command
- Dog that is stopped or redirected once for the retrieve

Major or Minor Deductions. Depending on the extent of the deviation from the ideal for any exercise, a major or minor deduction may be incurred. Deductions can occur for deviations not listed at the discretion of the judge.

Section 10. Handler Discrimination. Only dogs and handlers who have qualified in all exercises of the Master class prior to the Handler Discrimination class may compete in this section. For this section, handlers will be assigned to a group of no more than 10.

The primary purpose of this exercise is to demonstrate the dog's ability to find the handler's scented article among the other scented articles, to indicate the correct handler's scented article, the dog's obedience to odor, and returning to the handler when released. Handlers may bring a toy into the ring with them for this exercise only to be used as a reward.

Box Steward. If used, the responsibility of the Box Steward is to care for the boxes used in the Master Handler Discrimination exercise. The boxes used for this exercise must meet the specifications outlined in Chapter 2, Section 4. Additional blank boxes must be available for replacement if any of the containers become damaged or contaminated.

No one except the Box Steward should handle any of the odor boxes. The Box Steward also ensures the boxes used are free of any other residual odors or debris. If it is necessary to adjust any of the handler's personal items, the box steward must use tongs or some other type of instrument in order not to transfer their scent onto the item. If a box steward is not used, this responsibility falls onto the judge.

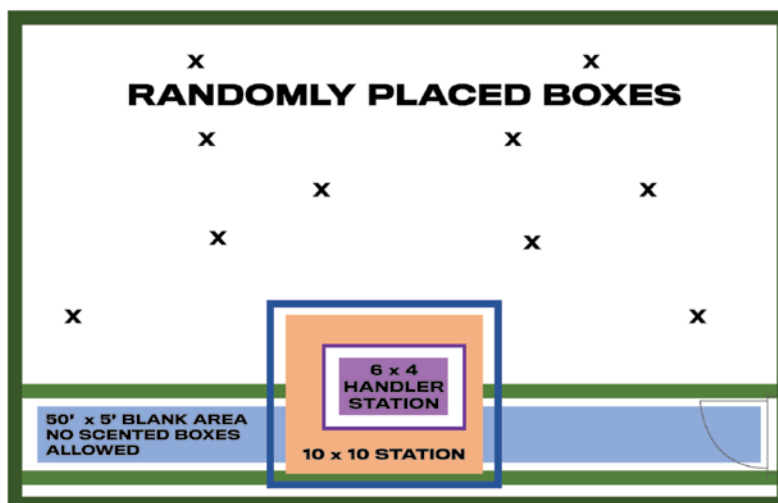
Preparation. This class will be judged in sections that will have up to 10 handlers per section. There must be a minimum of 8 boxes set out for this exercise if there are less than 10 handlers in the section.

- **All 10 handlers will bring one personal item such as keys, a shoe, a sock, a shirt, etc., to the prep area no sooner than 15 minutes prior to the beginning of their section.** The personal item cannot be a glove or undergarment, must be free of food, and must fit inside a cardboard box that is 12 inches by 9 inches by 3 inches. The personal item must fit inside the box without any parts of the item showing. **Once the boxes containing the personal items are set in the ring, exhibitors who miss their section will forfeit their run unless there are additional sections scheduled.**
- **The boxes will be pre-numbered with the exhibitor's armband number inside the box, using printed labels or regular pens, and numbered one (1) through ten (10) outside the box prior to the handler placing their item in the box.** Running order will be determined by armband number (low to high or high to low) The bottom of the box will be taped, and the top flaps will be either removed or folded in. If there are not 10 handlers, items scented by the steward may be used to make up at least 8 items. In this case, these items will either be a personal item or may be standard washcloths of any color made of 100% cotton with a maximum of 12 inches square provided by the club.
- The steward will then bring the boxes to the ring and place them in the ring area as directed by the judge. The judge will decide where the boxes will be placed within the ring area. Judges must not inform any exhibitor of the location of their box.

Ring set-up. The search area will be set up after all competitors have completed all prior exercises in this class. Prior to the beginning of the exercise, the ring area must be set and marked as follows:

- Using the long side of the ring area, there must be a designated portion which is to be marked off with tape, chalk, or marking paint that runs the entire length of the area and is at least 5 feet from the ring barrier. This is considered the blank area.

- Another area that measures 10 feet by 10 feet must be marked off that includes the 5-foot section of the blank area, which will be located approximately in the center of the long side of the ring.
- Within this area there will be a section that measures 6 feet by 4 feet. This is the handler's station and starting area where the working handler will be positioned.
- The blank area directly behind the handler's station (50 feet long by 5 feet wide) and the designated square (10 feet by 10 feet) that surrounds the handler's station as well as the handler's station (6 feet by 4 feet), will not contain any search items.
- **All 10 boxes containing the individual handler's items for that section must be randomly placed at least 10 feet in all directions from the 10' x 10' section and the 50' x 5' blank area.** Placement of the individual boxes must be arranged in a scattered pattern and must be at least 6 feet away from any other item including the edges of any side of the ring. All boxes must be placed prior to the handler entering the ring. The diagram below is an example of how boxes can be placed.



- **The judge's orders for this exercise are:**

- o Are you ready?
- o Send Your dog
- o Release Your Dog

Instructions. The order of performance is as follows:

The working handler and dog will enter the ring and go immediately to the designated handler's station and must stand facing forward for the duration of the search. Handlers must not look for their box prior to entering the ring or while preparing their dog to search. The handler must not move around in or step outside of this designated marked area at any time until the dog has returned to the handler and the exercise is finished.

The handler will remove the leash and send the dog within approximately 30 seconds from entering the handler's section. The handler will send the dog using a verbal command only. Any form of hand signal, or forward movement of the handler's body or arms will be penalized up to and including a non-qualifying score.

The handler can reach down and allow the dog to sniff their hand prior to sending the dog to search.

Once the dog is sent, the handler must remain standing quietly and cannot move about within the designated area.

- The handler must not use any body language to direct the dog such as staring at or leaning toward the correct box.
- The handler must not direct the dog to the item, or speak to the dog, once the dog is searching
- The handler must not use additional commands and/or praise while the dog is searching.

If the dog is having trouble, the handler may recall the dog to the handler's station one time without penalty. If the handler recalls the dog the second time, a major fault will be assessed. The handler may not recall and resend the dog more than two times. Time will not stop when the handler recalls the dog.

The dog must indicate it has found the handler's item by doing either a sit or down at the item before the handler may call an alert. Timing will stop when the handler calls "Alert." The dog must then remain at the correct box in a sit or down position for at least 3 consecutive seconds. The judge's count shall start once the handler calls alert and the dog is in the correct position. If the dog breaks position, the count will stop and start over again when the dog is back in one of the correct positions. If the dog does not take a correct position within 10 seconds, it will be scored as a non-qualifying performance. The judge shall count down, "three," "two," "one," "release." The dog is allowed 1 change of position but will receive a mandatory 10-point deduction. Any other change of position will receive a non-qualifying score.

The handler must not command and/or signal the dog to sit, down, or stay during any part of this exercise. Upon completing the count, the judge will command the handler to recall their dog and inform the handler if the dog qualified. The handler may reward the dog upon its return at the handler's station with a toy only. Toys may not be purposely thrown or dropped for the dog. No food rewards will be allowed.

The remaining handlers in that section may not watch the searches within their section until after they have run. No dog other than the

working dog may be in the actual ring area.

If any boxes are moved by the dog during the search, the steward or judge will re-position the box, so it is in the original place.

Scoring Handler Discrimination

Non-Qualifying.

- Handler steps outside of the designated area for any reason during the exercise
- Handler purposely directs the dog to the correct box
- Dog does not sit or down at the correct handler's box
- Dog does not remain in a sit or down position for a minimum of 3 seconds after the handler calls alert (1 change of position allowed)
- Handler commands and/or signals the dog to sit, down, or stay at the correct handler's box
- Handler restarts the dog more than twice
- Dog sits or downs at the incorrect box and the handler calls the alert
- Dog indicates at an incorrect box and does not resume searching on its own before time runs out
- Dog paws at, puts paws on, mouths, or picks up any box
- Dog picks up any article that is not the handler's
- Dog retrieves any article from any box
- Handler purposely throws or drops the toy
- Time limit exceeds 3 minutes

Mandatory 10-Point Deduction.

- Dog changes position during the 3-second stabilization period
- Handler does not stay facing forward during any part of the search

Major Deduction.

- Dog picks up, but then immediately drops the handler's article for each occurrence
- Handler makes a minor move of their body or arm before or during the search
- Handler recalls dog to restart a second time

Major or Minor Deductions. Depending on the extent of the deviation from the ideal for any exercise, a major or minor deduction may be incurred. Deductions can occur for deviations not listed at the discretion of the judge.

CHAPTER 19. ELITE INTRODUCTION, EXERCISES, PERFORMANCE, AND SCORING

Section 1. Purpose of the Elite Class. The primary purpose of this class is to demonstrate the usefulness of the dog as a highly socialized companion that has been trained to an extremely high level of Obedience usable in everyday life, with specific skill sets that include food refusal, send away to cone, directed retrieve with directed jump, and unfamiliar scent discrimination.

Section 2. Additional Titling Class. Exhibitors do not have to enter or earn any other Obedience class or title as a pre-requisite. As an additional titling class, dogs entered in this class may also enter any other licensed Obedience class at the same trial. Dogs entered in the Elite class will not be eligible for High in Trial or All Stars points.

Section 3. General Requirements. Ring size for this class must be at least 40' x 70'. Jumps and the cone or pylon may be in the ring during all exercises except for the Unfamiliar Discrimination exercise. Dogs must enter and leave the ring on leash. The handler may not guide the dog by its collar or its body during or between the Elite exercises. A major deduction will be imposed for each infraction of this rule. Handlers may talk to their dogs or give extra commands between exercises. In all exercises judging will begin when the handler indicates they are ready.

Section 4. Elite Requirements. Elite Obedience Dog Title (EOD). The Elite Obedience Dog title must be earned from the Elite class. There are no divisions in the Elite class. The maximum score that may be earned in this class is 200 points. A minimum qualifying score will be 170 points and over 50 percent of each individual exercise. To earn this title, a dog must:

- Earn three qualifying scores at three different UKC licensed Obedience trials
- There is no restriction on the number of qualifying scores that may be earned under the same judge

Section 5. Elite Exercises and Maximum Points per Exercise.

Elite Point Scale

Elite Exercises.

Signal Heeling with Moving Stand for Exam

Food Refusal

Recall with Stand and Down

Exercise Maximum Points

40 points

40 points

40 points

Advanced Directed Retrieve and Jumping	40 points
<u>Unfamiliar Scent Discrimination</u>	<u>40 points</u>
Total Points	200 points

Section 6. Signal Heeling with Moving Stand for Exam. The primary purpose of this exercise is to demonstrate the dog's ability to heel, stand in place as the handler leaves, allow a stranger to examine it without showing resentment or shyness, and return to the handler on command.

The judge's orders for this exercise are:

- o Are you ready?
- o Forward
- o Left turn
- o Right turn
- o About turn
- o Halt
- o Slow
- o Normal
- o Fast
- o Stand your dog
- o Leave your dog
- o Call your dog to heel
- o Exercise finished

Instructions. Instructions for this exercise are identical to the Signal exercise in the Utility class up to the point when the handler is given the command to "Stand Your Dog." On the judge's order the handler will signal the dog to "Stand." The handler, without stopping, will signal the dog to stand and continue forward about 10 feet then turn and face the dog. The dog must stand and stay in position. The judge will examine the dog by approaching from the front. The judge will use both hands in a single, smooth motion to gently exam the dog beginning at the sides of the dog's neck, continuing along the body, and ending at the dog's rear. The exam will not include the head, teeth, legs, testicles, or tail. On the judge's order "Call Your Dog to Heel," the handler will signal the dog to return the heel position going either to the left or right. When the dog is sitting in heel position, the judge will order "Exercised Finished."

Scoring Signal Heeling with Moving Stand for Exam. Scoring for the Elite class Signal Heeling with Moving Stand for exam exercises are identical to the scoring of the Utility Signal exercise and the Novice Stand for Exam.

Additional Non-Qualifying

- Dog sits or lays down before or during exam
- Failure of dog to go directly to heel
- Handler stops forward motion when giving the stand command

Additional Major Deductions.

- Dog is slow to respond
- Dog moves away or sits after exam but before recall

Major or Minor Deductions. Depending on the extent of the deviation from the ideal for any exercise, a major or minor deduction may be incurred. Deductions can occur for deviations not listed at the discretion of the judge.

Section 7. Food Refusal. The primary purpose of this exercise is to demonstrate the dog's ability to stay in a down position and refuse food that is offered to it. The food will consist of any food that is safe and edible for a dog as described in Chapter 2, Section 4.

• **The judge's orders for this exercise are:**

- o Are you ready?
- o Down your dog
- o Leave your dog
- o Halt
- o Return to your dog
- o Exercise finished

Instructions. The judge or steward will direct the handler to the location where the Food Refusal exercise will begin. The handler will place the dog in a sit in heel position. The judge will ask the handler "Are You Ready?" Judging will begin when the handler indicates they are ready. The judge will then order the handler "Down Your Dog" and then order the handler to "Leave Your Dog."

The handler will leave the dog in the down position and walk forward at least 15 feet away, turn and face the dog. The handler

may give a stay command with a command that tells the dog to refuse the food. There must not be any hesitation between the commands if both are given. (Example: Tango stay, Leave it).

Once the handler has stopped, and is facing the dog, the steward will approach the dog from the front and offer the food from a suitable receptacle by placing the food that is contained in or on an open receptacle on the ground. The receptacle should be a small plastic open container that can be re-sealed, or the food may be placed on a flat paper or plastic plate.

The steward must not touch the dog with the food or receptacle or speak to the dog. The food should be just close enough to the dog so the dog would have to move to get the food. The dog may smell the food but must not take or lick the food it is offered. The food will be left where it is placed until after the handler returns to the dog and the judge says, "Exercised Finished."

On order from the judge to "Return to Your Dog" the handler will return to the dog and remain next to the dog in heel position until the judge orders "Exercise finished." The handler may then back away from the food or move away from the food in any direction they choose.

Scoring Food Refusal.

Non-Qualifying

- Handler gives more than 2 commands to down
- Handler gives extra command to stay and/or leave it
- Dog does not remain in the down position
- Dog licks, attempts to eat, or eats any of the food offered to it before the judge says, "Exercise Finished."

Mandatory 10 Point Deduction.

- Dog licks, attempts to eat, or eats any of the food offered after the judge says, "Exercise Finished."

Major Deduction

- Extra command to down

Major or Minor Deductions. Depending on the extent of the deviation from the ideal for any exercise, a major or minor deduction may be incurred. Deductions can occur for deviations not listed below at the discretion of the judge.

Section 8. Recall with Stand and Down. The primary purpose of this exercise is to demonstrate the dog's ability to come when called, be controlled from a distance with a stand and down command, and to return to the handler.

• **The judge's orders for this exercise are:**

- o Are you ready?
- o Leave your dog
- o Call your dog
- o Return to your dog
- o Finish
- o Exercise Finished

Instructions. The judge or steward will direct the handler to the location where the Recall with Stand and Down exercise will begin. The handler will come to the location with the dog sitting in heel position. The judge will ask the handler "Are You Ready?" Judging will begin when the handler indicates they are ready. The judge will then order the handler to "Leave Your Dog."

The handler will command and/or signal the dog to stay and walk to the opposite side of the ring, turn and walk to the opposite side of the ring, turn, and face the dog approximately 60 feet from the starting point. On order from the judge to "Call Your Dog" the handler will give a command and/or signal to call their dog.

When the dog has reached approximately one third of the distance to the handler, the handler, without additional order from the judge, will command and/or signal the dog to "Stand." When ordered or signal from the judge to "Call Your Dog," the handler will give the second recall command and/or signal for the dog to come.

Once the dog covers two thirds of the distance, they handler, without additional order from the judge, will command and/or signal the dog to "Down." After the second stop, the judge will order the handler to "Return to Your Dog." The handler will return to the dog by going around and behind the dog counterclockwise.

Scoring Recall with Stand and Down. Scoring of the Recall with Stand and Down exercise will be identical to the scoring for Novice Recall and the Open Drop on Recall except that there will be no deductions for the finish.

Additional Non-Qualifying

- Handler anticipates judge's orders
- Failure of dog to stand or down on the first command and/or signal
- Dog breaks the stand or down position before being called by the handler
- Handler gives command and/or signal to stand or down but the dog travels more than one body length before stopping
- Failure of dog to remain in the stand or down position until called

Additional Major Deductions.

- Dog stops and then takes the position without an additional command

Additional Major or Minor Deductions. Depending on the extent of the deviation from the ideal for any exercise, a major or minor deduction may be incurred. Deductions can occur for deviations not listed below at the discretion of the judge.

- Handler does not return to heel position
- Slow response

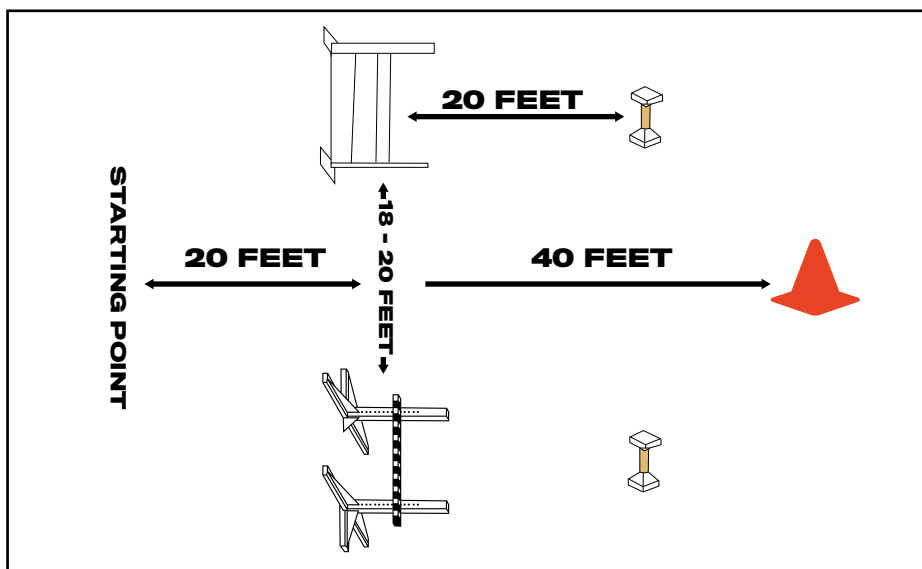
Section 9. Advanced Directed Retrieve and Jumping. The primary purposes of this exercise is to demonstrate the dog's ability to be sent to a target location as indicated by the handler, to halt and stay in a specific position when commanded, and to retrieve a dumbbell and take a jump as directed by the handler.

This exercise requires an 18-inch pylon, a High Jump, and a Bar Jump conforming to the requirements outlined in Chapter 2, Section 4. The handler must provide two (2) dumbbells conforming to the requirements outlined in Chapter 2, Section 5. The two dumbbells must be identical in size and color, but the handler may choose which size dumbbells are used.

The judge has complete discretion as to which jump shall be placed on the left and right sides of the ring and which dumbbell and corresponding jump the dog must go over. The jumps shall only be set up during this exercise. At the discretion of the judge, the jumps may be stored inside the ring provided they are placed so as not to interfere with any other exercises.

Set up. Prior to the start of this exercise the judge or a steward will place an 18-inch cone or pylon on the centerline of the ring approximately 60 feet from the starting point. The two jumps will be positioned in the ring and set up in the same manner as the jumps in the Utility class but will be approximately 20 feet from the starting position of the handler (see exercise graph). To save time it is recommended that the jumps be set before the dog is required to jump and in accordance with the Jump Height and Distance Table on page 74. If the jumps are already at the dog's correct jump height, the stewards need only place them in the proper location when needed. The judge must ensure that the jumps are set to the proper height for each dog. After the jumps are set, a steward will place the dumbbells approximately 20 feet behind the jumps. The steward should always place the dumbbells in the same order (from right to left or from left to right), regardless of which dumbbell is retrieved.

The judge shall post which position the dog must take prior to the directed retrieve and jumping section of this exercise. The allowable positions are "Stand," "Sit," or "Down." Whichever position is chosen, it will be the same for each competitor in the class.



- The judge's orders for this exercise are:
 - o Are you ready?
 - o Send Your dog
 - o Dumbbell and (High / Bar) jump to your (left / right)
 - o Take it
 - o Finish
 - o Exercise finished

Instructions. The handler will stand with the dog sitting in heel position at one end of the ring on an imaginary line running down the center of the ring about 20 feet from the jumps. The judge will ask the handler, "Are you ready?" Judging will begin when the handler indicates they are ready. When the judge gives the order "Send Your Dog," the handler will command and/or signal the dog to go forward and circle in either direction, around the cone. The handler may give one additional command and/or signal for the send away without penalty.

Without an order from the judge, the handler will automatically command the dog to stop in the pre-determined position after the dog has circled the cone but before crossing the imaginary line connecting the dumbbells. One additional position command

and/or signal may be given without penalty.

The dog must stop and assume the position commanded by the handler. After about 3 seconds, the judge will tell the handler which dumbbell and corresponding jump the dog is to jump (“Dumbbell and {High or Bar} jump on your {Left or Right}”). The handler will immediately comply with the judge’s order and may give separate commands and/or signals for the dog to retrieve the correct dumbbell and to take the correct jump. The handler has the choice to stop the dog after the dumbbell retrieve to give the jump command, or the handler may give the jump command while the dog is in motion.

The dog must promptly retrieve the correct dumbbell and jump the corresponding jump after the handler’s command. The jump must be neatly, and the dog must return to the handler and sit in front. The handler may pivot their body toward the designated jump while the dog is in midair, so the dog has a direct line of return from the jump.

When the judge gives the order to “Take it,” the handler may reach down and command the dog to release the dumbbell. The dog must immediately release the dumbbell. When the judge gives the order to “Finish”, the handler must give the command or signal for the dog to return to heel position. Once the dog is sitting in heel position, the judge will order “Exercise Finished.”

Scoring Advanced Directed Retrieve and Jumping. Scoring will be identical to the scoring for the Utility Directed Jumping, Directed Signal Exercise Class, and the Open Retrieve on Flat exercises.

Additional Non-Qualifying.

- ***Dog is given more than one command and/or signal for the send away to the cone.***
- Dog does not go around behind cone
- Dog does not take the correct position after the second command is given
- Dog passes imaginary line connecting the dumbbells before the command to retrieve is given
- Dog moves more than a body length from the stopped position
- Dog that retrieves the dumbbell before the command is given
- Dog is stopped and/or redirected more than once to retrieve the correct dumbbell
- Dog is stopped and/or redirected more than once to jump the correct hurdle
- Dog retrieves incorrect dumbbell
- Dog does not retrieve
- Dog does not take correct jump
- Dog refused to jump
- Dog does not clear jump or knocks bar off

Additional Major Deductions.

- Slow to respond
- ***Dog is stopped and/or redirected once to retrieve the correct dumbbell.***
- ***Dog is stopped and/or redirected once to jump the correct hurdle.***
- Dog takes the incorrect position on the first command
- Dog does not remain in the place it was told
- Dog does not front or finish
- Dog drops the dumbbell (a separate deduction will be assessed for each occurrence)

Additional Major to Minor Deductions. Depending on the extent of the deviation from the ideal for any exercise, a major or minor deduction may be incurred. Deductions can occur for deviations not listed at the discretion of the judge.

Section 10. Unfamiliar Scent Discrimination. This exercise is to be performed after all dogs within the class have done the previous Elite class exercises. Only dogs and handlers who have qualified in all exercises of the Elite class prior to the Unfamiliar Scent Discrimination class may compete in this section. For this section, handlers will be assigned to a group of no more than 8 handlers.

The primary purpose of this exercise is to demonstrate the dog’s ability to locate, and indicate to the handler, a specific target scented article among other identical articles containing a non-target odor, the dogs obedience to odor, and to returning to the handler when released. Handlers may bring a toy into the ring with them for this exercise only to be used as a reward.

Preparation. This exercise requires 8 boxes and a minimum of 8 scent cloths that meet the size specifications outlined in Chapter 2, Section 4.

- ***There shall be 8 boxes set up in the ring that are numbered on the outside one (1) through (8).***
- One box and one scent cloth will be exclusively dedicated to the judge and the other 7 boxes and scent clothes will be dedicated to one specific scent steward.

Judge Preparation.

- Judges must have their own personal set of cloths that meet the requirements outlined in Chapter 2, Section 4, when judging the Unfamiliar Scent Discrimination class.
- The judge should pre-scent a minimum of three of their cloths by handling the cloths and placing them into their pocket at the beginning of the Elite class.
- The judge may place their hand into their pocket at any time during any of the Elite classes but must not remove the scented

cloths from their pocket until it is time for the Unfamiliar Scent Discrimination class.

Ring set-up. The cone and jumps must be removed from the ring and stored as directed by the judge, prior to setting the ring up for this exercise. The ring set-up is identical to that of the Master Scent Discrimination exercise.

One steward will be assigned to scent each cloth and place their scented cloth in the open box before placing it in the ring as directed by the judge. The steward that is scenting the decoy cloths must not touch the box or cloth that will be designated as the judge's box. Only the judge may handle the specified judge's box and the judge's cloth. The judge must have at least 3 cloths in their pocket.

After the steward has scented and placed their cloths and boxes, the judge will remove one of the three cloths from their pocket, scent the cloth by holding it or rubbing it gently between their hands, and then place it into the box and among the other 7 boxes in a random order. The judge must re-scent the cloth that is in the box after every 8 dogs. Should the judge's cloth become contaminated, the judge must replace the contaminated cloth with the extra cloth they have retained in their pocket. All boxes will remain in the same place for all dogs competing in the Elite class. All boxes must be placed prior to the handler entering the ring. It is the responsibility for each handler to be ready when it is their turn to run.

• **The judge's orders for this exercise are:**

- o Are you ready?
- o Send Your dog
- o Release Your Dog

Instructions. Instructions for this exercise are exactly like the Master Scent Discrimination exercise, except that the scent will be that of the judge's and not the handlers and there will be 8 total boxes. The time limit for the dog to find the correct article is 3 minutes. Scent will be given directly to the dog via the cloth by the judge using one of the remaining cloths in the judge's pocket. It is not permissible to throw or place the cloth on the floor during the giving or taking of scent. The judge will not place their hand on the dog or lean toward the dog. The handler may command and/or signal the dog to take the scent of the cloth when the judge presents the cloth to the dog. ***If, after the dog is sent, the dog comes to the judge and performs a sit or a down, the judge will begin the count and score the dog as a qualifying performance if the dog remains in the required position.***

Scoring Unfamiliar Scent Discrimination.

Non-Qualifying.

- Handler steps outside of the designated area for any reason during the exercise
- Handler purposely directs the dog to any box
- Dog does not sit or down at the correct box
- Dog does not remain in a sit or down position for a minimum of 3 seconds after the handler calls alert (1 change of position allowed)
- Handler commands and/or signals the dog to sit or down, or stay at the correct box
- Handler restarts the dog more than twice
- Dog sits or downs at the incorrect box and the handler calls the alert
- Dog indicates at the incorrect box and does not resume searching on its own before time runs out
- Dog paws at, puts paws on, mouths, or picks up any cloth or box
- Dog retrieves any cloth from any box
- Handler purposely throws or drops toy
- The time limit exceeds 3 minutes

Mandatory 10-Point Deduction.

- If the dog changes position during the 3-second stabilization period
- Handler does not stay facing forward during any part of the search

Major Deduction.

- Dog picks up, but then immediately drops the correct cloth
- Handler makes a minor move of their body and/or arm before or during the search
- Handler recalls dog to restart a second time

Major or Minor Deductions. Depending on the extent of the deviation from the ideal for any exercise, a major or minor deduction may be incurred. Deductions can occur for deviations not listed at the discretion of the judge.

CHAPTER 20. UNITED OBEDIENCE CHAMPION, UNITED GRAND OBEDIENCE CHAMPION, UNITED UTILITY DOG EXCELLENT

Section 1. United Obedience Champion. United Obedience Champion (UOCH). A dog must earn the UUD title before it is eligible to earn points and legs toward the United Obedience Champion title. To earn this title, a dog must meet all requirements below:

- **Combined Wins.** The dog must qualify in both Open B and Utility B and have a combined score of 370 or higher at five different UKC licensed trials.
- **Obedience Championship Points.** A total of 100 Obedience Championship points must be earned. Points may be earned from either the Open B class or Utility B class. A minimum of 30 points must be earned from the Open B class and a minimum of 20 points must be earned from the Utility B class. To earn Obedience Championship points, dogs must obtain a qualifying score of 170 or higher. A dog need not qualify in both Open B and Utility B at the same trial to earn Championship points. The number of points earned increases as the qualifying score increases. There is no restriction on the number of qualifying scores or Obedience Championship points that may be earned under the same judge.

Obedience championship points are awarded as follows:

Qualifying score	Points earned
170 to 174½	1
175 to 179½	2
180 to 184½	3
185 to 189½	4
190 to 192½	5
193 to 195½	6
196 to 198½	7
199 to 199½	8
200	10

Section 2. United Grand Obedience Champion. United Grand Obedience Champion (GOCH). A dog must earn the UOCH title before it is eligible to earn legs toward the United Grand Obedience Champion title. To earn this title, the dog must qualify in both Open B and Utility B and earn a combined score of 370 or higher at 15 different UKC licensed trials. There is no restriction on the number of qualifying scores that may be earned under the same judge.

Section 3. United Utility Dog Excellent. United Utility Dog Excellent (UUDX). A dog must earn the UUD title before being eligible to earn qualifying scores toward the UUDX title. Dogs who obtain the UUDX title may continue to compete in Open B and Utility B.

To earn a United Utility Dog Excellent title, the dog must have earned qualifying scores in both Open B and Utility B at 10 separate licensed Obedience trials. The UUDX title will have numeric designations to signify the number of times the title has been completed. (UUDX2 = 20 combined scores; 10 from Open B and 10 from Utility B.)

CHAPTER 21. NON-LICENSED CLASSES INTRODUCTION

Section 1. Purpose of the Non-Licensed Classes. The purpose of a non-licensed Obedience class is to allow both experienced and inexperienced dogs and handlers to develop new skills.

Section 2. Non-Licensed Classes. When non-licensed classes are offered, no qualifying scores toward a title are earned, dogs are not eligible for High in Trial, nor will All Stars points be granted for qualifying scores. Non-licensed classes may be offered at all UKC Obedience trials. A host club must request non-licensed classes when submitting their Event Application. Non-licensed Obedience classes must be scheduled so they do not interfere with any licensed classes. The following classes are non-licensed Obedience classes:

- Veteran
- Brace
- Versatility
- Precision Heeling
- Pairs
- Team

Section 3. Praising and Encouragement. In all non-licensed classes except for the Precision Heeling class, handlers may use verbal encouragement, praise, and/or give extra commands during and between exercises. Handlers who are extreme with their commands, talking, or encouragement may be penalized if the judge determines the dog would not be able to perform the exercise without excessive help.

Section 4. Judges. Non-licensed Obedience classes may be judged by UKC licensed Obedience judges or any other person deemed qualified by the host club.

CHAPTER 22. VETERANS INTRODUCTION, EXERCISES, PERFORMANCE AND SCORING

Section 1. Purpose of the Veterans Class. The purpose of this class is to give dogs who are seven years old or older on the day of the trial an opportunity to continue to participate and stay active in a sport together with their handler. There are no divisions or restrictions other than age for entering this class.

Section 2. General Requirements. All dogs must enter and exit the ring on leash. The owner or any other person may handle a dog in this class. A person may enter more than one dog in this class. Dogs must be capable of performing the exercises required for each routine. The handler may not use the leash, collar, or any part of the handler's body to move the dog against its will or force it into any position. A major deduction will be imposed for each infraction of this rule.

Section 3. Performance and Scoring. The exercises for this class will be identical in performance and scoring to the Novice Class exercises except that the recall exercise will be a straight recall without a jump.

- When the dog is off leash between the exercises, the handler may gently lead or guide the dog to the next exercise location using the collar.
- The handler may not use the leash, collar, or any part of the handler's body to move the dog against its will or force it into any position.
- A major deduction will be imposed for each infraction of this rule.

CHAPTER 23. BRACE INTRODUCTION, EXERCISES, PERFORMANCE AND SCORING

Section 1. Purpose of the Brace Class. The purpose of this class is to give handlers the opportunity to work two dogs together as a brace that are similar in size. There are no divisions or restrictions for entering this class.

Section 2. General Requirements. All dogs must enter and exit the ring on leash. Dogs will be coupled together when working and will be judged as though they are one. The coupler (brace connection between the dog's collars), must be separate from the leash and only needs to be long enough to allow the dogs to move easily with each other while performing these exercises, whether on or off leash.

When the dogs are off leash between the exercises, the handler may gently lead or guide the dogs to the next exercise location using either one of the dog's collars or the coupler. The handler may not use the leash, collar, or any part of the handler's body to move the dogs against its will or force it into any position. A major deduction will be imposed for each infraction of this rule.

- It is not necessary that the same person owns both dogs or that they be the same breed.
- The owner or any other person may handle a brace in this class.
- A person may enter more than one brace in this class.
- The same handler must handle each brace in all exercises.

Section 3. Performance and Scoring. The exercises for this class will be identical in performance and scoring to the Novice Class exercises except that the recall exercise will be a straight recall without a jump.

CHAPTER 24. VERSATILITY INTRODUCTION, EXERCISES, PERFORMANCE AND SCORING

Section 1. Purpose of the Versatility Class. The purpose of this class is to showcase the ability of the dog and handler to work as a team while performing various exercises with different levels of difficulty. There are no divisions or restrictions for entering this class.

Section 2. General Requirements. All dogs must enter and exit the ring on leash. The owner or any other person may handle a dog in this class. A person may enter more than one dog in this class. Dogs must be capable of performing the exercises required for each routine. The handler may not use the leash, collar, or any part of the handler's body to move the dog against its will or force it into any position. A major deduction will be imposed for each infraction of this rule. The judge will choose the routine prior to the start of judging. The same routine must be used for each dog entered in the class for each trial. Clubs must post the chosen routine prior to the start of the class.

Section 3. Performance and Scoring. Exercises will be performed and scored identical to either the regular or additional titling Obedience class exercises. Each handler must provide the required equipment such as a dumbbell or scent discrimination articles when applicable. There are four different routines and the team must perform in the order specified by the chosen routine. The routines are as follows:

Routine 1 (Does not require larger ring size)

Exercise	Class	Points
Greeting	Novice	30
Food Refusal	Elite	40
Signal Exercise	Utility	40
Broad Jump	Open	40
Moving Down with Recall	Advanced Novice	20
Retrieve on the Flat	Open	30

Routine 2

Exercise	Class	Points
Directed Jumping	Utility	40
Stand For Exam	Novice	20
Retrieve Over the High Jump	Open	30
Drop on Recall	Open	40
Retrieve of an Object	Advanced Open	30
Signal Exercise	Utility	40

Routine 3

Exercise	Class	Points
Positions with Recall	Master	40
Heel Off Leash	Novice	30
Recall over the Broad Jump	Advanced Novice	30
Drop on Recall	Open	30
Figure 8 with Down Stay	Advanced Open	40
Directed Marked Retrieve	Utility	30

Routine 4 (Does not require larger ring size)

Exercise	Class	Points
Greeting	Novice	20
Signal Heeling with Moving Stand For Exam	Elite	40
Directed Retrieve	Advanced Open	30
Positions with Recall	Master	40
Retrieve on the Flat	Open	30
Handler Discrimination	Master	40

CHAPTER 25. PRECISION HEELING INTRODUCTION, EXERCISES, PERFORMANCE AND SCORING

Section 1. Purpose of Precision Heeling. The purpose of the precision heeling class is to demonstrate the off-leash precision and teamwork involved between the handler and the dog with specific heeling patterns and exercises that include straight lines, circles, and corners. Praise and extra commands are not allowed in this class except between exercises.

Section 2. General Requirements. All dogs must enter and exit the ring on leash. The owner or any other person may handle a dog in this class. A person may enter more than one dog in this class. The handler may not use the leash, collar, or any part of the handler's body to move the dog against its will or force it into any position. A major deduction will be imposed for each infraction of this rule.

Section 3. Performance and Scoring for the Precision Heeling exercises. All applicable deductions for the Open Heel off Leash class exercises as well as the Advanced Open with Moving exercise class will apply to the precision heeling class.

Section 4. Precision Heeling Exercises and Maximum Points per Exercise.

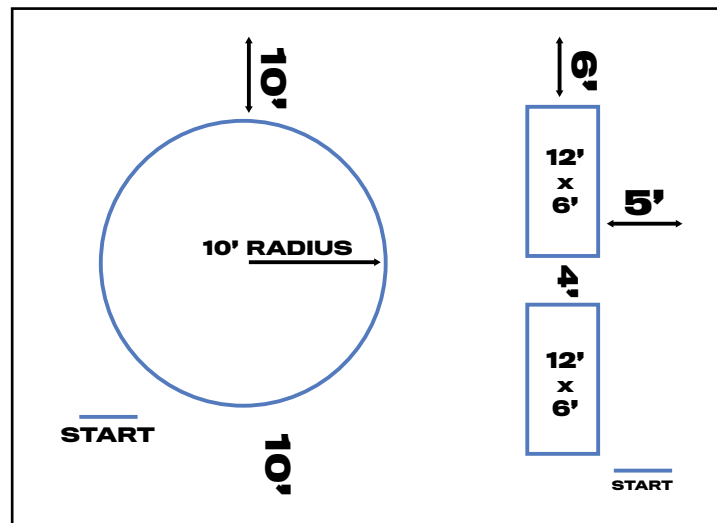
Precision Heeling Point Scale

Precision Heeling Exercises.

	Exercise Maximum Points
Diagonal Heeling	40 points
Circle Heeling with Stand	40 points
Rectangle Heeling	40 points
Circle Heeling with Down	40 points
Pattern Heeling	40 points
Total Points	200 points

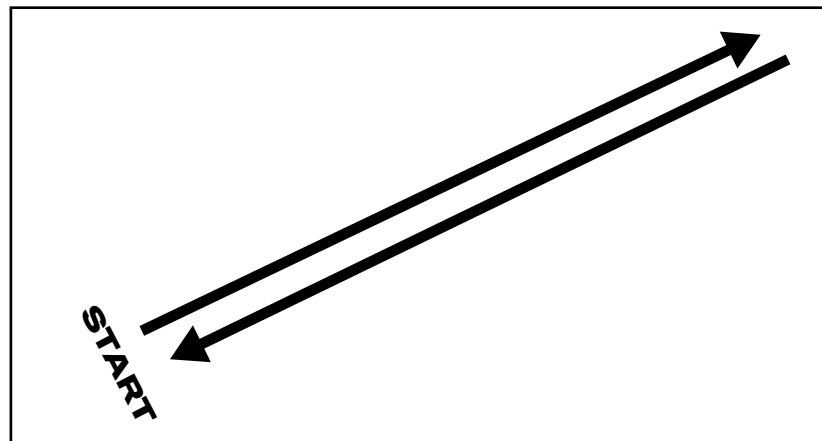
Ring Set Up. Prior to any judging, the ring must be prepared and marked as outlined in the graph below. The ring must be 40 feet wide by 50 feet long. There must be a 360° circle drawn in the center of the ring that has a diameter of 20 feet across. The radius of the circle in any direction will be 10 feet. The ring surface may be marked using tape, chalk or marking paint. Other means of marking the ring may also be used provided the marked areas are easily seen and the material used can be removed.

- **Creating a Circle.** To create an even circle, you may use a length of rope (about 12') and tie a knot at one end. Measure 10 feet out on the rope starting from the knot, and then tie another knot at the other end so the two knots are 10 feet apart. Then, secure one of the knots in the center of the ring. One person may hold the knot in the center, and another person will walk out until the rope is taught between the two knots. Using the knot at the far end, the person will use tape, chalk, or marking paint to mark the circle as they walk around the center knot until a full 360° circle has been made.
- Mark a starting line just outside of the circle as shown in the graph using tape or chalk.
- Create two rectangular areas that are 12 feet by 6 feet at the far end of the ring and on the other side of the circle using either tape or chalk. The areas must be a minimum of 5 feet from the ring barrier.



Section 5. Diagonal Heeling. The judge or steward will direct the handler to the location in the ring on one of the diagonals where the heeling exercise will begin. The handler then places the dog sitting in heel position. There will be no tape lines or markings designating the diagonal heeling exercise.

Instructions. The judge will ask the handler "Are you ready?" Judging will begin when the handler indicates they are ready. The judge will then order "Forward." The handler may give a command and/or signal instructing the dog to heel. The normal forward motion of the handler's body is a valid signal to the dog to heel, so a judge may not penalize a handler for failing to give a verbal command to heel.



The handler will move at a normal pace with a smooth, natural gait on the diagonal of the ring and toward the other diagonal end of the ring. The judge will order an "About Turn" at the end of the diagonal and the handler will turn to the right so that the dog will have to travel the greater distance. The handler will continue back over the same path on the diagonal. When the handler reaches the initial starting point, the judge will order "About Turn."

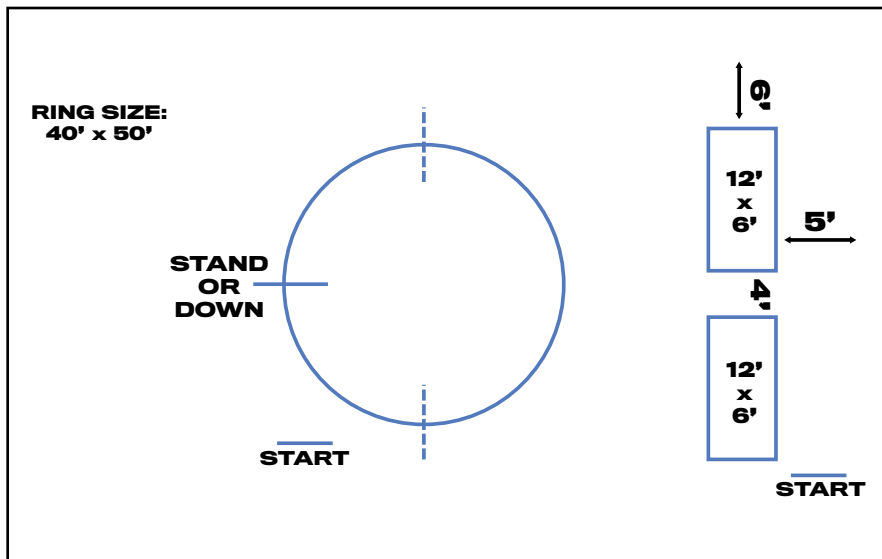
The handler will execute an about turn and the judge will order "Fast." The handler will approximately double their pace until they are almost to the other side of the ring where the judge will order "Normal" followed by an "About Turn."

The team will execute an about turn and the judge will order a second "Fast." The handler will approximately double their pace until they are almost to the other side of the ring where the judge will order "Normal" followed by an "About Turn."

After the final about turn, the judge will order "Slow" followed by "Normal" and "Halt." When the order "Halt" is given, the handler and dog should be approximately half-way down the diagonal. The handler and dog will stop, and the dog will automatically sit promptly in heel position. This exercise is to be done without any additional commands or signals from the handler to the dog. The judge will order "Exercised Finished".

Section 6. Circle Heeling with Stand.

The Circle Pattern will be used for this exercise. The handlers will be moving clockwise around the outside of the circle, as close to, but without touching the circle markings.



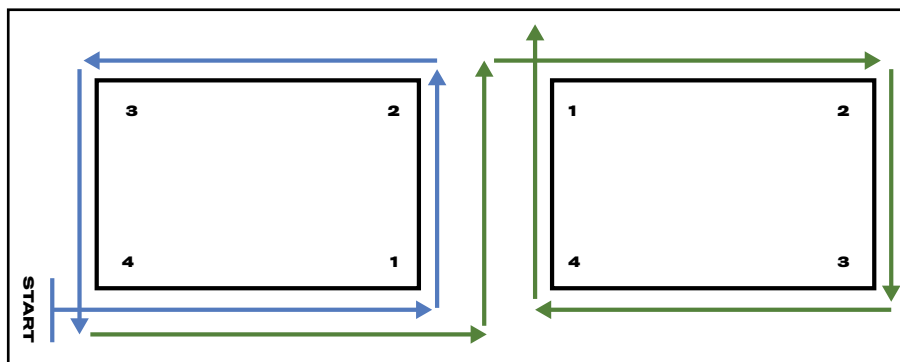
Instructions. The judge or steward will direct the handler to the location in the ring where the circle heeling will begin at the designated starting line. The handler will stand closest to the circle with the dog sitting in heel position. The judge asks the handler "Are you ready?" Judging will begin when the handler indicates they are ready.

Upon the "Forward" order from the judge, the handler will command and/or signal the dog to heel. The dog and handler will go clockwise around the circle and will complete one full circle before the judge orders the handler to "Stand your Dog." The handler, without pausing or breaking heel position, will command and/or signal the dog to "Stand" and the handler will continue forward for approximately one quarter of the circle where the judge will order "About Turn." (Approximately where the dash lines are located).

The handler will execute an about turn and will walk counterclockwise back toward the dog. The handler will pass the dog on its left side and will continue walking around the circle at a normal pace. When the handler has walked approximately another quarter of the circle, (Approximately where the dash lines are located) the judge will order an "About Turn."

The handler will perform an about turn, and upon reaching heel position with the dog will, without stopping, pausing, or slowing their pace, command and/or signal the dog to heel. When the team has gone at least one quarter of the circle, the judge will then order a "Halt." The handler must stop, and the dog must immediately sit in heel position before the judge orders "Exercise Finished."

Section 7. Rectangle Heeling. When performing the corners while under the "Slow Forward" command, for the rectangle heeling exercise, corners must be executed as a pivot and not a turn. The team must be as close to the marked lines of the rectangle as possible without crossing over them. The heeling direction is outlined below.



Instructions. The judge or steward will direct the handler to the designated starting line that starts with the rectangle on the left, where the heeling will begin. The handler will sit the dog in heel position. The judge asks the handler "Are you ready?" Judging will begin when the handler indicates they are ready.

The judge will order "Forward-Slow" and the handler will command and/or signal the dog to heel. The handler's pace must be half speed of their regular normal gait. When the team comes to the first corner (1), they will make a left pivot and continue in the slow pace, to the next corner (2), where they will make another left pivot. The team will continue heeling and performing a left pivot at the next two corners (3 & 4). As the team completes the pivot on the fourth corner, the judge will order "Normal."

The handler will immediately change back to their normal pace as the team continues to heel. After reaching the first corner (1), the judge will order a "Left Turn" and the team will execute a left turn between the two rectangles until they reach the end between the two rectangles.

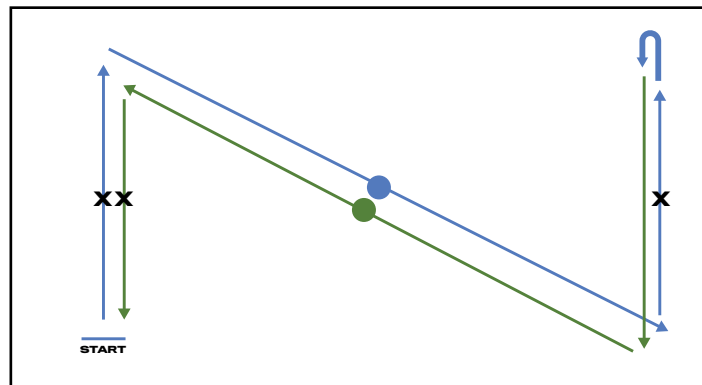
The judge will then order a "Right Turn" so that the team will start heeling around the rectangle on the right. As the handler makes the right turn at the corner (1), the judge will order "Slow." The handler will immediately slow their pace to half speed of their normal pace and will continue heeling down the long side of the second rectangle until they reach the end where they will make a right pivot at the corner (2).

The team will continue heeling and performing a right pivot at the next two corners (3 & 4). As the team completes the pivot on the fourth corner they will continue heeling slowly on a straight line until the team passes the end of the rectangles where the judge will order "Halt" and "Exercised Finished."

Section 8. Circle Heeling with Down.

Instructions. This exercise will be performed and scored exactly like the Circle Heeling with Stand except that the judge's order will be "Down you Dog" instead of "Stand Your Dog."

Section 9. Pattern Heeling. The dog and handler will be heeling in a "Z" pattern in the ring. Before beginning this exercise, the handler will place the dog in a sit in heel position so the dog will be starting on the outside. There will be no tape lines or markings designating the pattern heeling exercise.



Instructions. The judge or steward will direct the handler to the location in the ring where the pattern heeling exercise will begin on one of the short sides of the ring. The judge will ask the handler "Are you ready?" Judging will begin when the handler indicates they are ready. The judge will then order "Forward." The handler may give a command and/or signal instructing the dog to heel.

The team will heel forward about halfway down the short side of the ring where the judge will order "Halt." The team will come to a complete stop with the dog sitting automatically at heel. The judge will order "Forward" and upon the team reaching the end of the ring the judge will order a "Pivot Right." The dog and handler will make a 45° pivot to the right that will take the team down the center of the ring on a diagonal.

When the team reaches the midway point, the judge will order "Circle Left." The dog and handler team will perform a 360° circle in place to the left that, once completed, has the team moving forward in the same original direction. The judge will order a "Pivot Left" when the team reaches the end of the ring and the team will make a 45° pivot to the left.

About midway down the short side of the ring the judge will order the team to "Halt." The team will come to a complete stop with the dog sitting automatically in heel position. The judge will order "Forward." and the team will continue forward until they reach the end of the ring, where the judge will order a "About U Turn."

The handler will turn to the left so the dog will have to pivot with the handler to execute the turn and remain in heel position. The team will continue heeling until they reach the end of ring, where the judge will order a "Pivot Right" and the dog and handler will execute a 45° pivot to the right that will take the team down the center of the ring on a diagonal.

When the team reaches the midway point, the judge will order "Circle Right." The dog and handler team will perform a 360° circle in place to the right that, once completed, has the team moving forward in the same original direction. The judge will order a "Pivot Left" when the team reaches the end of the ring and the team will make a 45° pivot to the left.

About mid-way down the short side of the ring, the judge will order "Halt" and "Exercise Finished." The team will come to a complete stop with the dog sitting automatically in heel position and the handler will release the dog upon the judge's order.

CHAPTER 26. PAIRS INTRODUCTION, EXERCISES, PERFORMANCE, AND SCORING

Section 1. Purpose of the Pairs Class. The purpose of the pairs class is for any two dog and handler teams to perform a set of exercises while working together with precision and coordination.

Section 2. General Requirements. All dogs must enter and exit the ring on leash. Any dog or handler that is eligible to participate in any licensed Obedience class may enter the Pairs class. Dogs entered in the Pairs class are not required to have any Obedience titles and are not required to be entered in any other licensed or non-licensed classes. Dogs may be handled by the owner or any other person authorized by the owner of the dog. The handler may not use the leash, collar, or any part of the handler's body to move the dog against its will or force it into any position. A major deduction will be imposed for each infraction of this rule.

This class will be made up of any two dogs and handlers, plus an alternate dog and handler that may be included as a replacement if one of the original team members must withdraw. One handler of each pair shall be designated the captain. The two primary members of the pair, plus one alternate shall be considered a single entry and shall be charged a single-entry fee. One completed entry form must be submitted for each dog entered.

Section 3. Performance and Scoring. Two judges may be used to judge this class. When two judges are used, one judge will call the commands while the other judge will score the team's performance. The exercises and scoring for the Pairs class will be the same as for the licensed Novice classes except that the Recall exercise will be replaced with the Drop on Recall exercise outlined in the non-licensed Team class.

Pairs scores shall be based on individual performance of each member of the pair as well as the precision and coordination of the pairs' performance. Deductions for each exercise will be the same as in the licensed Novice and Non-Licensed Team classes. Only Pairs scores will be recorded.

Section 4. Pairs Exercises and maximum scores per Exercise:

Pairs Point Scale

Pairs Exercises.	Exercise Maximum Points
Stationary Exercises	80 points
Heel on Leash and Figure 8	80 points
Stand for Examination	80 points
Heel off Leash	80 points
<u>Drop on Recall</u>	<u>80 points</u>
Total Points	400 points

Section 5. Instructions. Each pair will perform the entire series of exercises in the class before the next pair is judged. In all exercises except for the Drop on Recall, pairs have the option of executing the judge's command on the captain's repeat of the command. Both members of each pair will perform all the exercises simultaneously except as noted for the Drop on Recall exercise.

- **Stationary Exercises.** These exercises are performed on leash and are meant to evaluate the pairs coordination and unison. Upon entering the ring, the handlers and dogs will line up, side-by-side and facing the same direction indicated by the judge. All dogs must be sitting in heel position next to their handler. After the captain indicates they are ready, the judge will then call a series of 4 stationary orders for the pairs to perform. Upon orders from the judge, both members of the pair will perform the series of exercises simultaneously. Each of the stationary exercises listed below must be performed twice except for the Front and Down exercises. The judge may call exercises in any order but must use the same sequence for all teams entered.

List of Stationary Exercises:

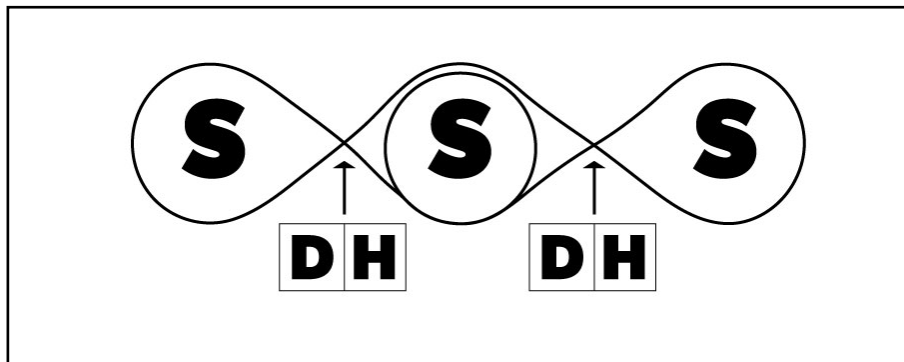
- o Right pivot (90° pivot to the right)
- o Left pivot (90° pivot to the left)
- o About pivot (180° pivot to the right)
- o U pivot (180° pivot to the left)
- o Dogs Front, Return
- o Dogs Down, Leave, Return

Description of Exercises.

- **Right Pivot.** With dogs sitting on the handlers' left side, both handlers must pivot simultaneously in place by turning 90° (one quarter turn) to their right upon the judge's order "Right Pivot." The dogs must move with their handlers while staying in heel position. The dogs must sit in heel position when their handler comes to a halt.
- **Left Pivot.** With dogs sitting on the handlers' left side, both handlers must pivot simultaneously in place by turning 90° (one quarter turn) to their left upon the judge's order "Left Pivot." The dogs must move with their handlers while staying in heel position. The dogs must sit in heel position when their handler comes to a halt.
- **About Pivot.** With dogs sitting on the handlers' left side, both handlers must pivot simultaneously in place by turning 180° (one half turn) to their right, upon the judge's order "About Pivot." The dogs must move with their handlers while staying in heel position. The dogs must sit in heel position when their handler comes to a halt.
- **U Pivot.** With dogs sitting on the handlers' left side, both handlers must pivot simultaneously in place by turning 180° (one

half turn) to their left, upon the judge's order "U Pivot." The dogs must move with their handlers while staying in heel position. The dogs must sit in heel position when their handler comes to a halt.

- **Dogs Front, Return.** With dogs sitting on the handlers' left side, both handlers must simultaneously call their dog to the front position upon the judge's order "Front Your Dogs." The handlers should stay in unison and may take two to three steps backward so that each dog has an opportunity to come in straight and sit directly in the front position of their handler. Both dogs should turn in the same direction for the front. Once the dogs are sitting in front, the judge will order "Return to Your Dogs." Each handler may give their dog a stay command and then will walk counterclockwise around and behind their dog and back to heel position.
- **Dogs Down, Leave, Return.** The only orders the judge will give for this exercise are "Down Your Dog" and "Return to Your Dog." With dogs sitting on the handlers' left side, both handlers must simultaneously give their dog a command and/or a signal to down upon the judge's order to "Down Your Dogs." Once all the dogs are down, the captain may call out "Leave Your Dogs," in which the handlers may command and/or signal their dog to stay. The handler's must walk out to the end of their leash, turn, and stand facing their dogs. After a 5-second count by the judge, the judge will order the handlers to "Return to Your Dogs." The dogs must remain down as the handler walk counterclockwise, in unison, around their dogs and come back into heel position. The dogs must remain in the down position until the judge orders "Exercise Finished."
- **Heel on Leash.** Handler and dog teams will perform the "L" pattern for the heel on leash portion of this exercise. Dogs should be lined up one behind the other for this exercise. Orders for this exercise will be the same as those for the Novice Heel on Leash exercise.
- **Figure 8 Exercise.** Three stewards will stand 8 feet apart in a straight line (all facing the same direction) with their arms crossed. The pair of dogs and handlers will form a parallel line, with each team centered and standing between two of the stewards. All members of the team must face the same direction and upon order from the judge shall perform the Figure 8 exercise starting around the steward on their left. Each handler will perform this exercise using only the two stewards between whom they had been standing. Clubs may use cones or pylons in place of stewards if necessary.



- **Stand for Examination Exercise.** Both dogs shall be lined up next to one another with at least four (4) feet of space between them and left simultaneously. Dogs will be examined individually by the judge prior to the handlers simultaneously returning to their dogs.
- **Heel off Leash.** Handler and dog teams will perform the "L" pattern for the heel off leash portion of this exercise. Dogs should be lined up one behind the other for this exercise. Orders for this exercise will be the same as those for the Novice Heel of Leash exercise.
- **Drop on Recall Exercise.** Handlers will line up with their dogs facing the same direction. When the judge orders "Leave Your Dog," both handlers must leave their dogs simultaneously. Then, one at a time, the judge will order "Call Your Dog" to each handler. Without any additional orders from the judge, the handler will call and/or signal the dog to come. When the dog is approximately midway between the line of the dogs and the line of the handlers, the handler will give the dog a command and/or a signal to down. Each dog shall remain in the down position until both dogs have been called and dropped. The judge will then give the order to "Call Your Dogs," after which the handlers will simultaneously call and/or signal their dogs to come. Both dogs must return to their handler simultaneously and sit in front. Both dogs must remain there until the judge gives the handlers the order to "Finish." The finish must be done in unison with both dogs sitting in heel position, before the judge gives the "Exercise Finished."

CHAPTER 27. TEAM INTRODUCTION, EXERCISES, PERFORMANCE, AND SCORING

Section 1. Purpose of the Team Class. The purpose of the team class is for any four dogs and handlers to perform a set of exercises while working together with precision and coordination.

Section 2. General Requirements. The ring size for the Team class must be at least 40 feet x 70 feet. If space allows, clubs that offer the Team class are encouraged to have as large of a ring size as possible. All dogs must enter and exit the ring on leash. Any dog or handler that is eligible to participate in any licensed Obedience class may enter the Team class. Dogs entered in the Team class are not required to have any Obedience titles and are not required to be entered in any other licensed or non-licensed classes. Dogs may be handled by the owner or any other person authorized by the owner of the dog.

This class will be for teams of any four dogs and handlers, plus an alternate dog and handler that may be included as a replacement if one of the original team members must withdraw. One member of each team shall be designated team captain. The four primary team members plus one alternate shall be considered a single entry and shall be charged a single-entry fee. One completed entry form must be submitted for each dog entered.

Section 3. Performance and Scoring. Two judges may be used to judge this class. When two judges are used, one judge will call the commands while the other judge will score the team's performance. The exercises for the Team class will be the same as for the licensed Novice classes except that the Drop on Recall exercise from the Open classes will be used in place of the Recall over High Jump exercise and the Stationary Exercises will replace the Honor exercise.

Team scores shall be based on individual performance of each member of the team as well as the precision and coordination of the team performance. Deductions for each exercise will be the same as in the licensed classes. Only team scores will be recorded.

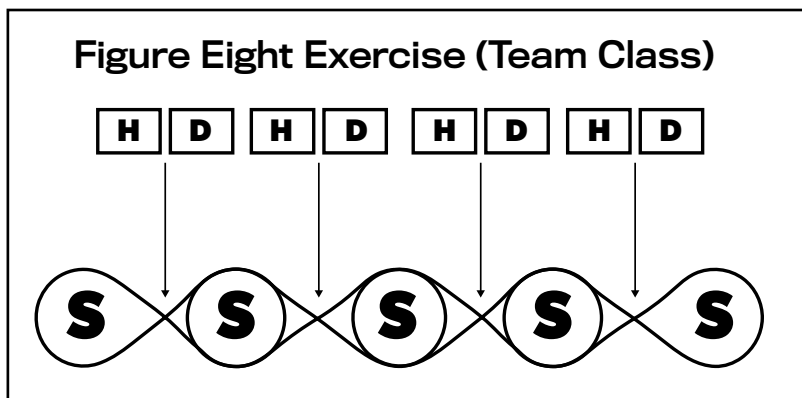
Section 4. Team Exercises and maximum scores per Exercise:

Team Point Scale

Team Exercises.	Exercise Maximum Points
Stationary Exercises	160 points
Heel on Leash and Figure 8	160 points
Stand for Examination	160 points
Heel off Leash	160 points
<u>Drop on Recall</u>	<u>160 points</u>
Total Points	800 points

Section 5. Instructions. Exercises will be performed and scored identical to the Pairs Stationary Exercises. Each team will perform the entire series of exercises before the next team is judged. In all exercises except for the Drop on Recall, teams have the option of executing the judge's command on the team captain's repeat of the command. All four members of each team will perform all the exercises simultaneously except as noted for the Drop on Recall exercise.

- **Stationary Exercises.** These exercises are performed on leash and are meant to evaluate the team's coordination and unison. Upon entering the ring, the handlers and dogs will line up, side-by-side and facing the same direction indicated by the judge. All dogs must be sitting in heel position next to their handler. After the team captain indicates they are ready, the judge will then call a series of 4 stationary orders for the team to perform. Upon orders from the judge, all four members of each team will perform the series of exercises simultaneously. Each of the stationary exercises must be performed twice except for the Front and Down exercises. The judge may call exercises in any order but must use the same sequence for all teams entered.
- **Heel on Leash.** Orders for this exercise will be like those for the Novice Heel on Leash exercise. Dogs should be lined up one behind the other for this exercise.
- **Figure 8 Exercise.** Five stewards will stand 8 feet apart in a straight line (all facing the same direction) with their arms crossed. The team of dogs and handlers will form a parallel line, with each team centered and standing between two of the stewards. All members of the team must face the same direction and upon order from the judge shall perform the Figure 8 exercise starting around the steward on their left. Each handler will perform this exercise using only the two stewards between whom they had been standing. Clubs may use cones or pylons in place of stewards if necessary.



- **Stand for Examination Exercise.** All four dogs shall be lined up next to one another with at least four (4) feet of space between each of them and left simultaneously. Dogs will be individually examined by the judge prior to the handlers simultaneously returning to their dogs.
- **Heel off Leash.** Orders for this exercise will be like those for the Novice Heel off Leash exercise. Dogs should be lined up one behind the other for this exercise.
- **Drop on Recall Exercise.** Handlers will line up with their dogs facing the same direction. When the judge orders "Leave Your Dog," all four handlers must leave their dogs simultaneously. Then, one at a time, the judge will order "Call Your Dog" to each handler. Without any additional orders from the judge, the handler will call and/or signal the dog to come. When the dog is approximately

midway between the line of the dogs and the line of the handlers, the handler will give the dog a command and/or a signal to down. Each dog shall remain in the down position until all four dogs have been called and dropped. The judge will then give the order to "Call Your Dogs," after which the handlers will simultaneously call and/or signal their dogs to come. All dogs must return to its handler simultaneously and sit in front. Each dog must remain there until the judge gives the handlers the order to "Finish." The finish must be done in unison with all dogs sitting in heel position, before the judge gives the "Exercise Finished."

CHAPTER 28. PLACEMENTS, AWARDS, TROPHIES, AND RIBBONS

Section 1. Class Placements. The judge shall give up to four placements, where possible, in each division of each class, based on the dog's qualifying score. First place must be awarded to the dog with the highest qualifying score, second place to the dog with the next highest qualifying score, and so forth. If two or more dogs earn the same score in the same division of a class, the winner shall be determined by a run-off in accordance with the standard run-off procedure.

Section 2. Ties and Run-Offs. At the end of each class, all dogs in a class with identical scores will be required to compete in a run-off competition to break the tie for class placements. ***A heel off leash pattern will be used for the run-off for all classes except Pre-Novice and Beginner Novice. Run-offs for Pre-Novice and Beginner Novice will be performed on leash.*** All dogs and handlers eligible for the run-off will perform simultaneously with the dogs. Judging will begin when the judge says, "Are You Ready." The first error seen by the judge after the handler states they are ready shall eliminate that team. If both teams commit an error at the same time, the team that commits the most serious error shall be eliminated.

If there are more than two teams in the run-off the team that commits the most serious error shall be eliminated, leaving the remaining teams in the run-off. Should two of the teams commit an error at the same time, both teams shall be eliminated. The last team remaining in the ring shall be the winner of the run-off. The above run-off procedure shall also be used to determine ties for the High in Trial, High Combined, and Highest Scoring Junior awards.

A dog that defeats another dog in a run-off shall not have to compete against that dog again unless the same dogs tie in a different class or, if the loser of a run-off in Utility wins the Open B class with a score equal to that of the Utility run-off winner, these two dogs may be required to compete in a second run-off to determine the High in Trial award.

Section 3. High in Trial. Eligible dogs and handlers will complete for the High in Trial award as follows:

- All dogs who placed first in Novice A, Novice B, Novice C, Open A, Open B, Utility A, and Utility B are eligible for High in Trial.
- Dogs must have earned a score of 195 or above to compete for High in Trial.
- If only one dog has a score above 195, that dog will be determined the High in Trial winner.
- If no dogs scored above 195, the highest scoring dog from the available classes will be determined as the High in Trial winner and no individual performance is required. If two or more dogs are tied with a score lower than 195, the runoff procedure in Section 2 will be followed to determine the HIT winner.

The High in Trial judging will take place for all class winners with a minimum score of 195 or higher at the end of the regular class judging. Dogs eligible for High in Trial shall perform each of the High in Trial exercises individually and off leash. ***Eligible dogs that are not present for individual judging for High in Trial shall be marked absent. If all eligible dogs competing for High In Trial are absent, the High In Trial award will be withheld.*** The order of judging will be by the assigned armband number of those competing, from lowest to highest number.

High in Trial Exercises are as follows:

- Heel Off Leash
- Straight Recall

The heel off leash pattern must be a pattern other than an "L" or "T" pattern. Dogs must also perform a straight recall and a finish, without a drop or a jump. Scoring for those two exercises will be the same as the Heel Off Leash Exercise and the Recall over the Jump, except there will be no deductions related to the jump.

The judge will score only the errors made by the handler and dog. The team with the fewest errors will be determined the winner for High in Trial. Ties will be broken in accordance with the standard run-off procedure.

Section 4. High Combined in Trial. The High Combined in Trial award is given to the dog that has qualified in both the Open B class and a Utility class in the same trial and who has the highest combined total score of all dogs competing in the Open B and Utility classes. Ties will be broken in accordance with the standard run-off procedure.

Section 5. High Scoring Junior. All clubs hosting a UKC licensed Obedience trial must offer a High Scoring Junior. Any Junior Handler (a UKC Junior Member or a handler that is eighteen years of age or younger on the day of the trial) competing in a UKC Licensed Obedience trial who earns a qualifying score will be eligible to compete for High Scoring Junior. The junior handler whose dog earned the highest score shall win the High Scoring Junior. Ties will be broken in accordance with the standard run-off procedure.

Section 6. Cash Prizes. UKC clubs may offer cash prizes at performance events without prior written authorization from UKC. Cash prizes include but are not limited to cash awards, gift cards, and gift certificates.

Section 7. Awards and Trophies. All awards and prizes must be made available prior to the event and must be offered to be won outright. Clubs may offer such awards and trophies as they choose; however, awards and trophies given by a club must be given consistently to all winners at the same level. Clubs may accept trophies donated by individuals or other organizations and these trophies may be designated for specific breeds or specific accomplishments.

Section 8. Ribbons and Rosettes. All ribbons and rosettes must include the UKC logo. ***Judges will award up to four place-***

ments for each class and division. Placement ribbons and colors are mandatory. Qualifying score ribbons are optional. Ribbons awarded for all other wins may be any other colors or combination of colors.

Obedience Trial Ribbon Colors

- 1st place – blue
- 2nd place – red
- 3rd place – green
- 4th place – yellow
- Qualifying score – light blue
- High in Trial – purple, gold and white
- High Combined – purple and white
- High Scoring Junior – gold and purple
- Total Dog Qualifier – red, black, and white.

CHAPTER 29. TOTAL DOG AWARD

Section 1. Total Dog Award. A club offering conformation and at least one performance event may apply to offer the Total Dog Award when submitting the Event Application as a non-licensed event. Clubs offering Total Dog must offer Total Junior. Participants for Total Dog and Total Junior must meet eligibility requirements.

Section 2. Combined Club events. A club (or with written approval by UKC, clubs holding events in conjunction with each other) offering conformation and at least one eligible performance event may apply to offer the Total Dog Award when submitting the Event Application. Clubs hosting more than one conformation and performance event on the day Total Dog awards are offered may consider all events eligible for Total Dog qualifiers.

- **Eligible dogs.** Dogs that are permanently registered with UKC as of the day of the show and dogs that have a valid Temporary Listing (TL) number as of the day of the show are eligible to compete for the Total Dog Award.
- **Requirements for Total Dog Award.** Dogs must be entered in conformation (regular or altered) and a performance event on the same day. A dog must win an award over another dog in conformation and qualify in the performance event in order to earn the award.
- **Competition Win.** A dog must win one of the following awards over another dog to qualify for the Total Dog award:
 - o Best Male/Female of Variety
 - o Reserve Best Male/Female of Variety
 - o Best Male/Female
 - o Reserve Best Male/Female
 - o Best of Winners
 - o Champion
 - o Reserve Champion
 - o Grand Champion
 - o Reserve Grand Champion
 - o Best of Breed
 - o Group 1 through 4 (Note: Group 4 win only counts if there are five or more breeds in the Group class.)
 - o Best in Show
 - o Reserve Best in Show
- **Eligible Performance Wins.** Earn a qualifying score in a licensed class in one of the following UKC performance events:
 - o Agility
 - o Dock Jumping
 - o Drag Racing (Excluding Aptitude Tests)
 - o Lure Coursing (Regular Stakes Only)
 - o Nosework
 - o Obedience
 - o Rally Obedience
 - o Weight Pull
 - o UKC licensed Hunt events

CHAPTER 30. UKC OBEDIENCE ALL STARS RANKING SYSTEM

Section 1. Eligibility. All UKC permanently registered dogs and all dogs with Performance Listing (PL), including mixed-breed dogs, are eligible to earn All Stars ranking points. Dogs that have Temporary Listing (TL) numbers may earn All Stars ranking points, but no points will be recorded or published until the dog is permanently registered.

Section 2. Obedience All Stars Points and Competition Year. All Stars points are automatically awarded at all UKC licensed Obedience events to each dog with a qualifying score of 191 or higher in accordance with the following table. Obedience All Stars points are calculated by UKC based on the official event report submitted by the Event Secretary. Fractional points shall be rounded down to the nearest whole number.

Qualifying score	All Star points earned
191	1
192	2
193	3
194	4
195	5
196	6
197	7
198	8
199	9
200	10

Obedience All Stars points are calculated from January 1 to December 31 of each year. UKC will tally the All Stars points by class (Novice, Open, and Utility) and publish the names of the top 50 Novice All Stars, the top 50 Open All Stars, and the top 50 Utility All Stars on the UKC website. Standings are updated weekly. Corrections to Obedience All Stars points or standings for any competition year must be reported to UKC no later than January 31st of the year following the competition year.

Section 3. Obedience All Stars Invitational. 50 of the top-ranked dogs in each class may be invited to participate in an Obedience All Stars Invitational competition.

CHAPTER 31. RING STEWARDS

Section 1. Stewards. The Event Chairperson is responsible for ensuring that the following categories of Obedience ring stewards are assigned to assist the judge in all classes and divisions. A steward's duty is to assist the judge. Any duties assigned in this rulebook to a ring steward may also be done by the judge at the judge's discretion. No steward may mark scores or placements in the judges' book or change any figures on the judge's scoresheet. A steward must notify the judge of any errors discovered. Only the judge can mark the judges' book. It is the responsibility of all stewards to be vigilant of any violations of UKC Obedience rules at any time during the trial. All stewarding duties may be combined or shared among the stewards available.

Section 2. Chief Ring Steward. The chief ring steward assigns an appropriate number and type of steward to each ring and ensures that each ring is properly equipped. Equipment should include items such as wickets, calculators, paper, pens or pencils, and a current Obedience rulebook. Where possible, each ring should include one gate steward, two ring stewards, and one table steward.

Section 3. Gate Steward. The duties of the gate steward include ensuring that the next dog in sequence is available for judging, watching the honoring dog, and ensuring that handlers remove their personal equipment when they leave the ring.

Section 4. Ring Steward. Ring stewards are essential for the efficiency of the ring. The main purpose of a ring steward is to assist the judge in the ring. Stewards may serve as posts, walking stewards, or may place articles and gloves in the ring. Stewards also are responsible for setting jumps at the correct height, carrying them in and out of the ring and setting them in the correct position. Additional responsibilities may also be assigned, as needed.

Section 5. Table Steward. The table steward's duties include but are not limited to, preparing score sheets for the judge, setting up the honoring dog's work sheet, verifying that the judge has correctly added the scores and arranging the awards in order for the judge.

DEFINITIONS

Age of Dog. A dog's age, for entry purposes, is determined by the date of the event. A dog born on January 1 shall turn six months old on July 1 of the same year. Dogs must be in the correct age group for the class being entered on or before the date of the event.

Altered. A dog made sterile by castration or spaying.

Audible. Any sound uttered or made by the handler capable of being heard.

Blind. A dog is blind if it has no useful sight.

Brisk/Briskly. Quick, active, lively.

Coupler. A thing that connects two things, such as a brace connector that attaches to the collars of two dogs.

Courtesy Dog. A dog that may or may not be entered into the trial which serves as the working dog and/or honoring dog for an entered dog in the class that requires an honoring exercise.

Crooked. The dog is not in line with the handler.

Crowding. The dog interferes with the handler's freedom of motion because it is too close to the handler.

Day-of-Show Entry. Most UKC clubs allow entries to be taken on the day of a show or trial. The start and finish time for taking these entries is posted on the UKC website. Shows that do not offer day of show entries are designated as PE (Pre-Entry) ONLY.

Deduction. A penalty of points deducted from an overall score for a performance

Major Deduction - 2½ points or more.

Minor Deduction - ½ point to 2 points.

Mandatory 10-Point Deduction – 10 points.

Disqualified. Dog is deemed ineligible for competition. This can be the result of a condition prohibited in the rules, such as an alteration to the dog's natural state, an undesirable trait as listed in a breed standard, or a condition of or action by a dog that is prohibited under the rules of the United Kennel Club. A dog that has been disqualified from a conformation show, or performance event pursuant to the Dog Temperament and Behavior found in the Official UKC Rules for All-Breed Events, may not participate in any further events unless reinstated by UKC.

Dog. The word "dog" used in these regulations includes both sexes.

Entry Form. An official UKC document required for entry into all UKC licensed events. The entry form provides all necessary information regarding the entry of the dog into the event as well as the owner's information.

Excused. A dog that has been excused by a judge in any event may not participate in any other events of the same type in the same show or trial, except that in Obedience, Rally Obedience, Drag Racing, Lure Coursing, and Agility, an excused dog may compete in another class at the same trial. A dog excused from a conformation class in show 1 may be shown again on the same day in show 2, and it is also eligible for any performance events on the same day.

Finish. The return of the dog to the heel position during an obedience exercise and/or performance.

Front. A position where the dog is seated within arm's reach of the handler and directly in front of and facing the handler.

Guideline. An indication or outline of recommended policy or conduct.

Honoring Dog. In an Obedience or Rally event, the dog that is performing the static (sit/down) exercise during the performance of the working dog.

Immediate Family. The spouse, parent, stepparent, child, stepchild, brother or sister, grandchild, in-law of a person is considered an immediate family member.

Intact. Dogs (males/females) that have full reproductive organs present, including for males, two normal descended testicles.

Lame. Impaired locomotion causing a dog to limp or move with difficulty.

Leg. A qualifying score toward an Agility, Nosework, Obedience or Rally title, a qualifying pull in a Weight Pull, or a qualifying win toward a Grand Champion conformation title.

Licensed classes. Classes that are required to be offered at a UKC Conformation show or Performance event from which dogs can earn points and/or awards.

Mark. A mark is a specific form of hand signal whereby the handler indicates a straight line in which the dog must travel to retrieve a designated object.

Minimum Height. Minimum height in a performance event, is a lower jump height a dog would be required to jump based upon the dog's height at the withers.

Non-Licensed Classes. Additional classes that may be offered at a UKC events that do not award champion points or qualifying scores.

Non-Qualifying Score. Also referred to as an NQ or zero score. A non-qualifying score is given for the most serious deviations from the ideal. One non-qualifying score in any exercise means that the dog may not continue to compete in the class where the deviation occurred but may complete the class. A dog that has received a non-qualifying score in one class may compete in a different class in the same trial.

Obedience Trial. An All-Breed event hosted by a UKC licensed club at which judges evaluate the ability of teams of handlers and dogs to perform a series of exercises in accordance with the governing rules.

Additional Titling Class. Non-required class from which titles may be earned. These titling classes do not require a pre-requisite to enter as with the regular Obedience classes of Novice, Open, and Utility. All dogs eligible to enter the additional titling classes may enter.

Rally Trial. An All-Breed event hosted by a UKC licensed club at which judges evaluate the ability of teams of handlers and dogs to perform a series of exercises in accordance with the governing rules.

Performance Event. An event where a dog is judged based on their performance rather than their conformation. Agility, Nosework, Obedience, Rally, Drag Racing, Lure Coursing and Weight Pull are typical performance events.

Performance Listing (PL). A listing number that allows a dog to participate in UKC Junior Showmanship and performance events. Dogs may be mixed-breed, purebred dogs of unknown pedigree, have disqualifying faults as described in the UKC Breed Standard or breeds not recognized by UKC. PL listed dogs are not eligible for Altered Conformation.

Pre-Entry and Pre-Entry Only. Some UKC clubs offer pre-entry in addition to day-of-trial entry. Pre-entries must be submitted by a specified closing and are normally lower in price than day-of-trial entries. Trials that do not accept day-of-trial entries are designated as Pre-Entry Only.

Sportsmanship. Conduct that demonstrates proper consideration for fairness, ethics, respect, and a sense of fellowship with one's competitors while exhibiting, responsibility, self-control and respect for both authority and opponents.

Standard Height. Standard Height in a performance event, is the regular height a dog would be required to jump based upon the dog's height at the withers.

Temporary Listing (TL) number. A Temporary Listing is a number issued to an eligible dog that is not permanently registered with UKC, prior to the start of any licensed events. A TL number allows that dog to be entered and shown as a valid entry, receive wins, and have those wins converted onto its record once permanently registered.

Veteran. A veteran dog is a male or female dog 7 years or older on the date of the event. The dog's age shall be determined by the dog's actual date of birth.

Wait List. A sequential list of all entries that are received after the numerical limit of allowable entries per judge has been met is called a wait list.

Wicket. A measuring device that is used to accurately determine a dog's height. Height is determined by drawing a straight line from the top of the withers perpendicular to the ground.

Withers. The high part of the back of a dog, located between the shoulder blades.

Working Dog. In an Obedience or Rally event, the dog performing the moving exercises in the presence of an honoring dog.

DIAGRAMS

Standard Jump Height & Distance Table

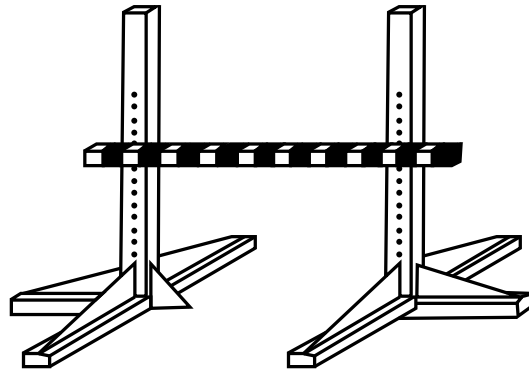
Dog height at withers (inches)	High/Bar Jump (inches)	Broad Jump (inches)	Number of Boards
6 & under	6	8	1 shortest board
7	6	8	
8	8	16	2 shortest boards
9	8	18	
10	10	20	
11	10	22	
12	12	24	
13	12	26	
14	14	28	3 shortest boards
15	14	30	
16	16	32	
17	16	34	
18	18	36	
19	18	38	
20	20	40	
21	20	42	
22	22	44	4 boards
23	22	46	
24 & over	24	48	

Minimum Jump Height & Distance Table

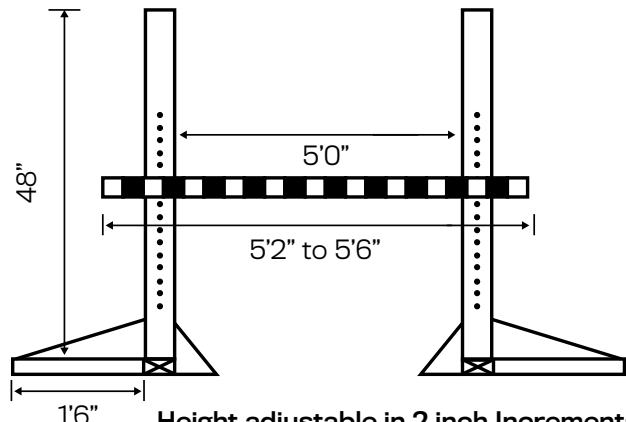
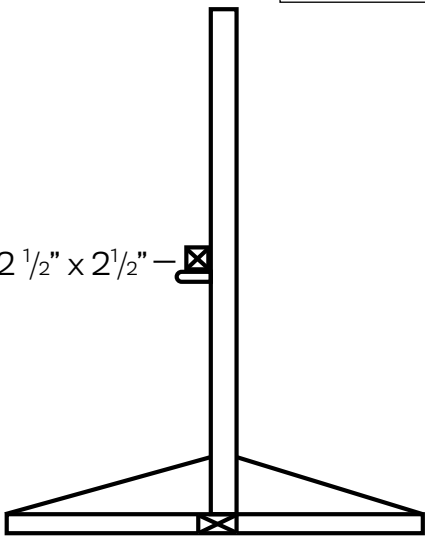
Dog height at withers (inches)	High/Bar Jump (inches)	Broad Jump (inches)	Number of Boards
Less than 10	4	8	1 shortest board
10 - less than 13 ½	8	16	2 shortest board
13 ½ - less than 16	10	20	
16 - less than 18 ½	12	24	
18 ½ - less than 21 ½	14	28	3 shortest board
21 ½ - less than 24	16	32	
24 - less than 26	18	36	
26 - less than 29 ½	20	40	
29 ½ - less than 32	22	44	
32 and higher	24	48	4 boards

Regulation Size for Construction of Bar Jump

Material used for construction is suggested



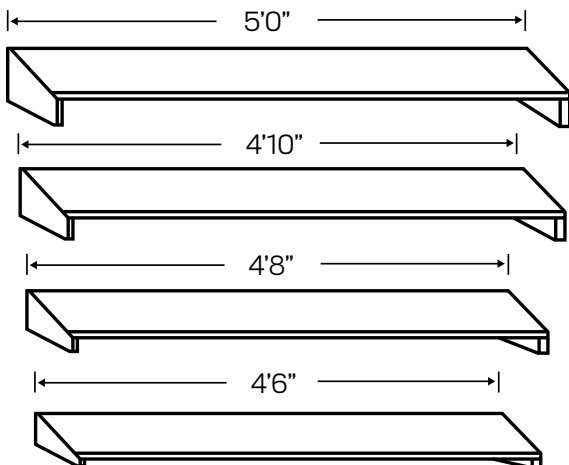
2 1/2" x 2 1/2" -



Height adjustable in 2 inch increments from 4 inches to 24 inches.

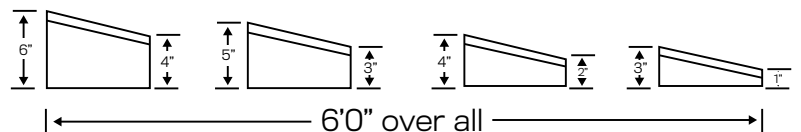
Regulation Size for Construction of Broad Jump

Material used for construction is suggested



The Jump is made of four separate boards at least 1/2" thick by 8" wide. The four sections are built to telescope for convenience of storage, and must be painted a flat white.

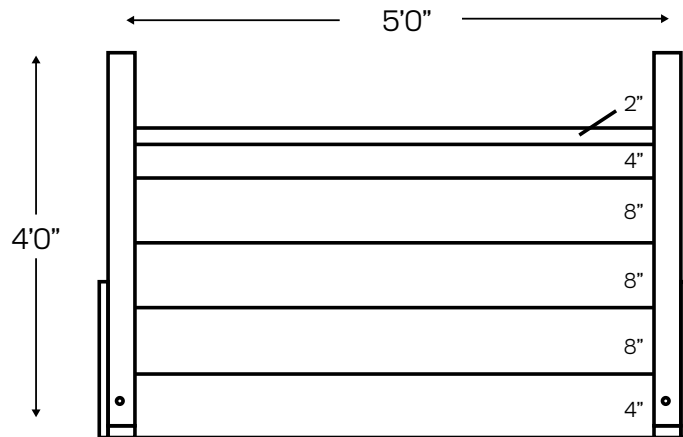
End View of Four Hurdles



Highest end board to be removed first.
Highest two boards to be removed in necessary.

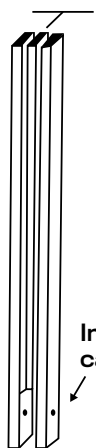
Regulation Size for Construction of High Jump

Material used for construction is suggested



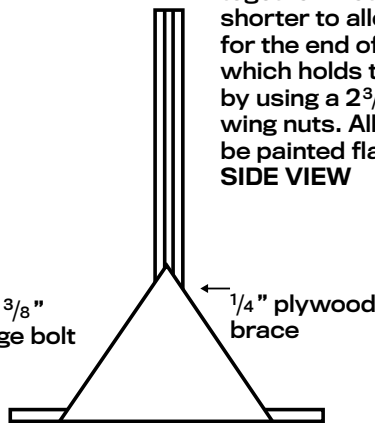
Detail of bottom board. Ends must be notched to fit 1" x 3" base strip. Assemble both uprights to bottom board, then drill holes.

Note groove formed when nailed together.



Insert $\frac{3}{8}$ " carriage bolt

The uprights are made of 2 pieces of 1" x 3" and 1 piece of 1" x 2" nailed together. Note that the 1" x 2" is shorter to allow space at the bottom for the end of the bottom board which holds the 2 uprights in position by using a $2\frac{3}{8}$ carriage bolts and wing nuts. All parts of the Jump must be painted flat white.
SIDE VIEW



$\frac{1}{4}$ " plywood brace

INHERENT RIGHTS and POWERS OF UKC

*(Revised December 18, 2009)

United Kennel Club holds and has reserved to itself certain inherent rights and powers in connection with conducting its business, registering litters, transferring registrations of dogs, licensing events, and awarding titles. These inherent rights and powers include but are not limited to the following:

United Kennel Club has the right to inspect all reports, scorecards and documents related to UKC events. Some, but not all, of the items subject to inspection are:

- a) scores;
- b) disqualifications of dogs for fighting or other reasons;
- c) errors by the recording person; and
- d) documentation excluded for any reason.

UKC reserves the right to correct any mistakes found during such inspection whether or not the document has the signature of a Judge or Club Officer. UKC reserves the right to itself and in its sole judgement and discretion, to take such actions and impose such sanctions as would:

- a) Bar an individual from entering or participating in any way in any UKC licensed event.
- b) Bar an individual from transferring or registering any pups or dogs in that person's name (joint or full registration) or to any member of that person's family.
- c) Bar an individual from receiving Championship points for any dog registered in that person's name (joint or full registration)

By way of illustration, the following constitute some, but not all, of the situations calling for the above sanctions:

- a) Falsification or alteration of a UKC Registration Certificate, Pedigree, UKC Easy Entry™ Card or any other UKC document.
- b) Falsification or alteration of any reports of wins issued to UKC
- c) Falsification or alteration of receipts issued by UKC Judges.
- d) Switching, wrongfully using or attempting to use a UKC Registration Certificate, Pedigree, UKC Easy Entry™ Card or any other UKC document.
- e) Selling or attempting to sell a dog with false or incorrect UKC Registration Certificate or Pedigree.
- f) Intimidating, threatening, or injuring a Judge, Club/Association member or official, event participant or spectator, or UKC representative.

The six illustrations given above are only by way of example and UKC reserves to itself its inherent right and power to impose such sanctions in any other circumstances deemed appropriate by UKC.

Any individual who is found guilty by a court of law of a crime involving dogs will be barred from United Kennel Club for an indefinite period. A person shall be considered guilty in a criminal proceeding if they are convicted by a judge, jury, or if they enter a plea bargain or other arrangement to plea to a lesser offense, or if their case is disposed of by any form of deferred adjudication; a person shall be considered guilty in a civil proceeding if they are held responsible or liable by a judge, jury, or if a compromised settlement is reached between the parties.

JANUARY 1, 2022 RULE CHANGES INSERT

Chapter 5, Section 1: Clarification that dogs eligible for Pre-Novice are not eligible for Open and Utility.

Chapter 5, Section 1: Clarification that dogs eligible for Beginner Novice are not eligible for Utility.

Chapter 6, Section 5: Clarification on time allowed and estimated entry numbers for judging per day.

UKC Obedience Class	Time Allowance Per Run	UKC Obedience Class	Time Allowance Per Run
Pre-Novice	3 minutes	Advanced Open	5 minutes
Beginner Novice	4 minutes	Utility	6 minutes
Novice	5 minutes	Master	4-6 minutes
Advance Novice	5 minutes	Elite	4-6 minutes
Open	5 minutes		

Chapter 7, Section 7: Clarification added for handler asking to be excused from the ring.

Chapter 11, Section 2: Clarification on entering regular and additional titling classes and All-Star ineligibility when entering Pre-Novice.

Chapter 12, Section 2: Clarification on entering regular and additional titling classes and All-Star ineligibility when entering Beginner Novice.

Chapter 12, Section 8: Added that the handler will now inform the judge prior to the beginning of the exercise if they will be performing a sit or a down for the stay in Beginner Novice.

Chapter 13, Section 5: Added that the handler will let the Judge know when they are ready to begin the exercise prior to telling their dog to stay for the Novice Greeting exercise.

Chapter 14, Section 6: Added that the handler will let the Judge know when they are ready to begin the exercise prior to telling their dog to stay for the Open Greeting exercise.

Chapter 15, Section 5: Added that the handler will let the Judge know when they are ready to begin the exercise prior to telling their dog to stay for the Open Greeting exercise.

Chapter 15, Section 10: Clarification for the handler to know where to stand for the Broad Jump exercise.

Chapter 16, Section 7: Clarification on how the handler is to leave the dog for the Figure 8 and Down Stay exercise.

Chapter 17, Section 8: Clarification on how the dog is scored for additional sit commands for this exercise.

Chapter 18, Section 10: Clarification on the primary purpose of this exercise.

Chapter 18, Section 10: Time limit clarification as to when handler's need to be at the ring with their item and what happens if they do not show up to place their item in the box during the required time.

Chapter 18, Section 10: Clarification on how boxes will be numbered.

Chapter 18, Section 10: Clarification on the distance boxes must be placed for the Master class.

Chapter 19, Section 9: Clarification on Additional Non-Qualifying regarding the send away.

Chapter 19, Section 9: Clarification on Additional Major Deductions. Two new bullets were added.

Chapter 19, Section 10: Clarification on the primary purpose of this exercise.

Chapter 28, Section 2: Added that Pre-Novice and Novice dogs who tie in their prospective classes will perform any tie-breaking exercises on leash.

Chapter 28, Section 8: Added that qualifying ribbons are no longer mandatory and are optional for any trial.